

SETTIMA[®]
research & innovation. always

Since 1978 the benchmark for three-screw pumps

THE INNOVATIVE MODULAR THREE-SCREW PUMP QUICKLY ADAPTABLE ON DEMAND



triumflex[®]

INTERNATIONALLY PATENTED
DESIGNED & MADE IN ITALY



www.settima.it



www.motive.it



Engineering Solutions

www.spinmag.it

THE INNOVATIVE MODULAR THREE-SCREW PUMP QUICKLY ADAPTABLE ON DEMAND

Innovative modular design to cover
a wide range of configurations

TRIUMFLEX® PUMP

Advantages.....	6
Innovation.....	8
Modular Design.....	9
Installation.....	11
Dimensional Drawings.....	12
Coding System.....	14

ELECTRO-HYDRAULIC GROUPS

Advantages.....	26
Distinctive Features.....	26
Main Components.....	27
Motor Groups.....	28
Coding System.....	32
Applications.....	40

PERFORMANE CHARTS

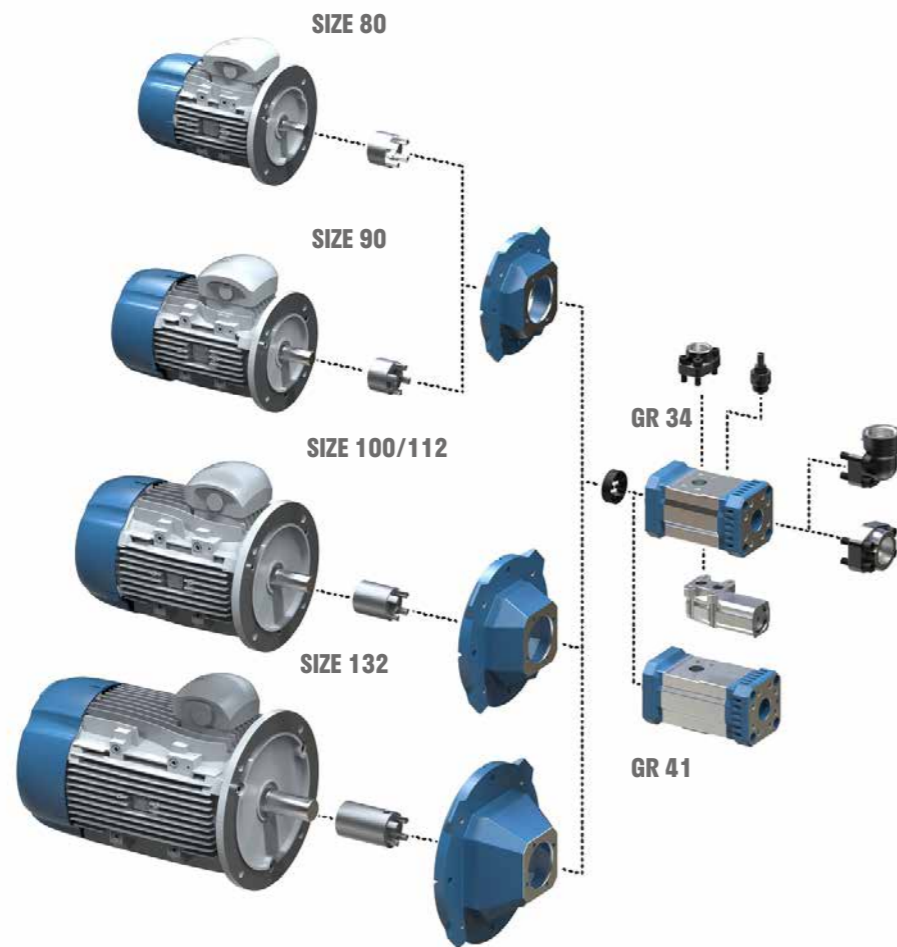
Series 50 Hz.....	42
Series 60 Hz.....	56

MODULAR THREE-SCREW

TRIUMFLEX PUMP

ADVANTAGES

- + Universal base pump configured according to application
- + Can be easily re-configured by replacing the optional kits only
- + Ultra compact footprint to fit all hydraulic systems
- + Unparalleled product availability
- + Base pump can be coupled to different motor sizes
- + Each pump size optimized to operate from 500 to 3600 RPM
- + One stop shop for pump, coupling kit and electric motor (optional)
- + Relief valve, noise-cancelling valve (optional kits according to the specific application)



Example for GR34 and GR41 only



MODULAR



ADAPTIVE



COMPACT



NO PULSATIONS



QUIET

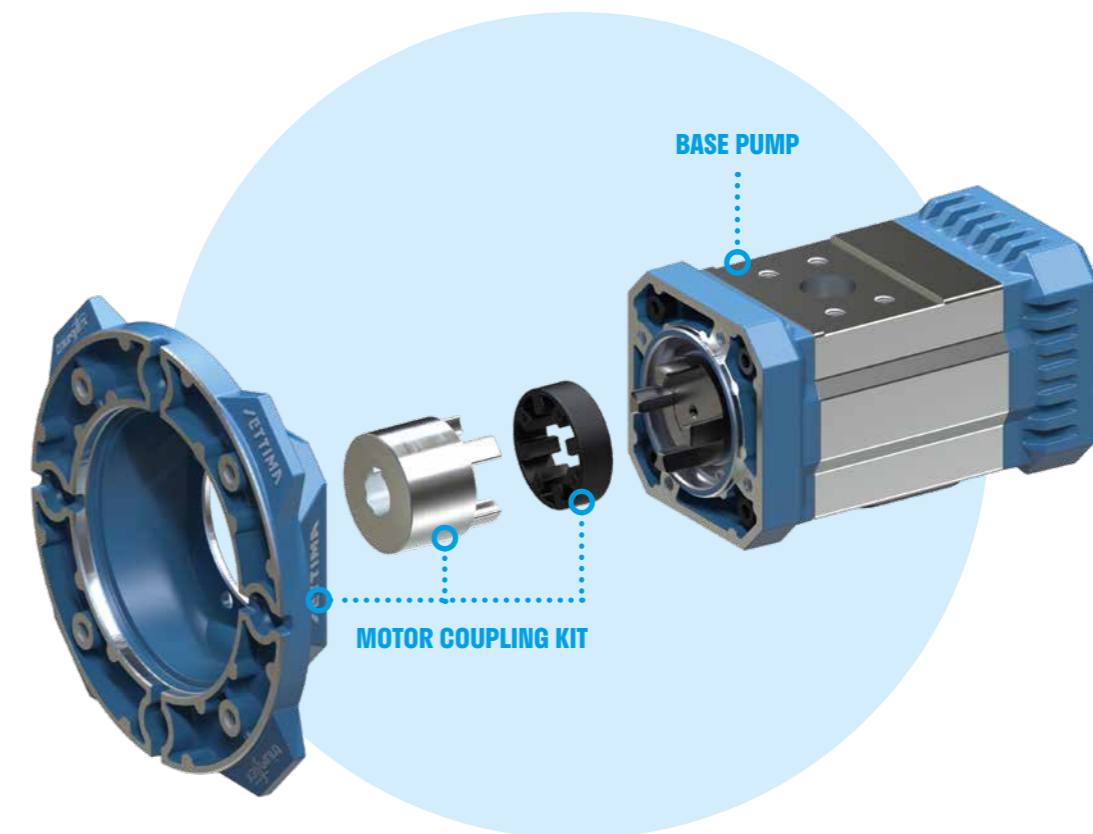


AFFORDABLE



ENVIRONMENTALLY SUSTAINABLE

2 AND 4 POLES FOR ALL MODELS



- **FLOW RATE:** (L/min) 9 ÷ 94l
- **VISCOSITY:** (cSt) 15 ÷ 3000
- **MAX DIFF. PRESSURE:** (bar) 50
- **SPEED:** (rpm) 500 ÷ 3600
- **NPSHr:** ≥ 1,5 mWc

MAIN COMPONENTS	MATERIAL
Idler screw	Cast iron
Main screw	Carbon steel
Front flange	Aluminium
Rear flange	Aluminium
Pump casing	Aluminium
Seals	NBR

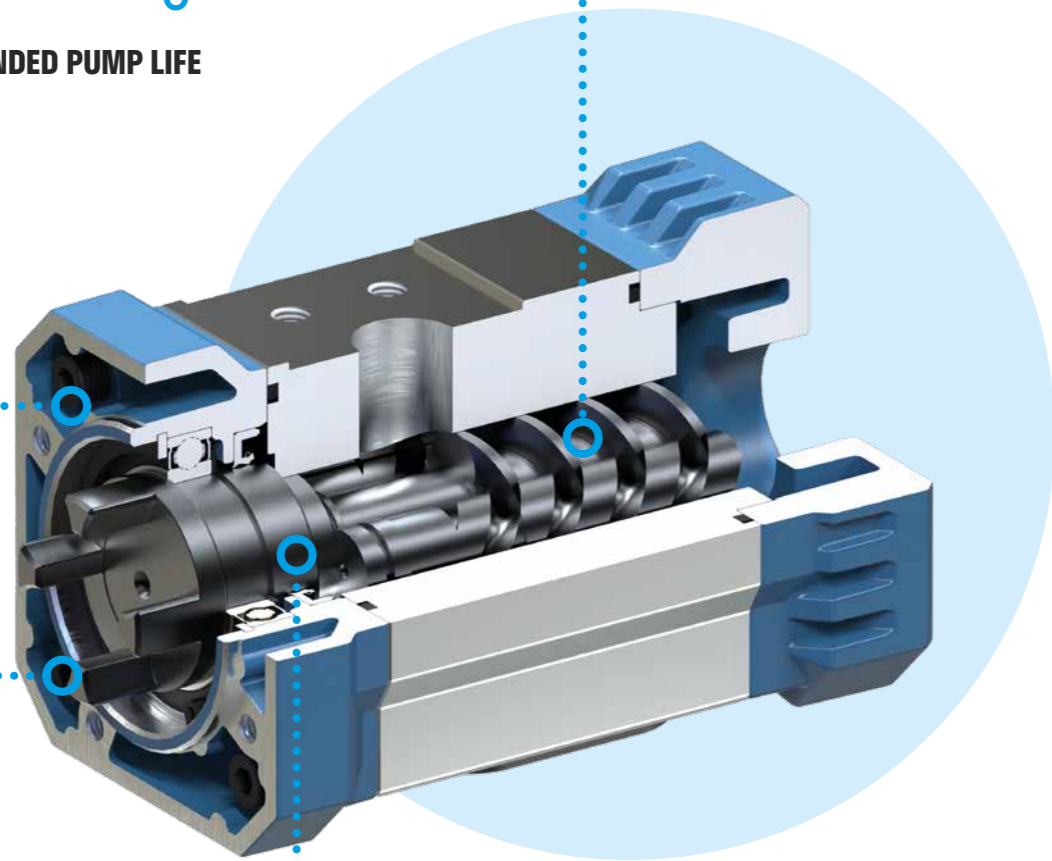
INNOVATION

SETTIMA Patented Design

+ **ULTRA COMPACT WITH CUTTING EDGE PERFORMANCES**

External Shielded Bearing

+ **EXTENDED PUMP LIFE**



Patented Built-in Jaw Coupling

+ **HEAVY DUTY DESIGN FOR 0÷3600 RPM**

Universal Lip Seal

+ **SUITABLE FOR ALL APPLICATIONS**

MODULAR DESIGN

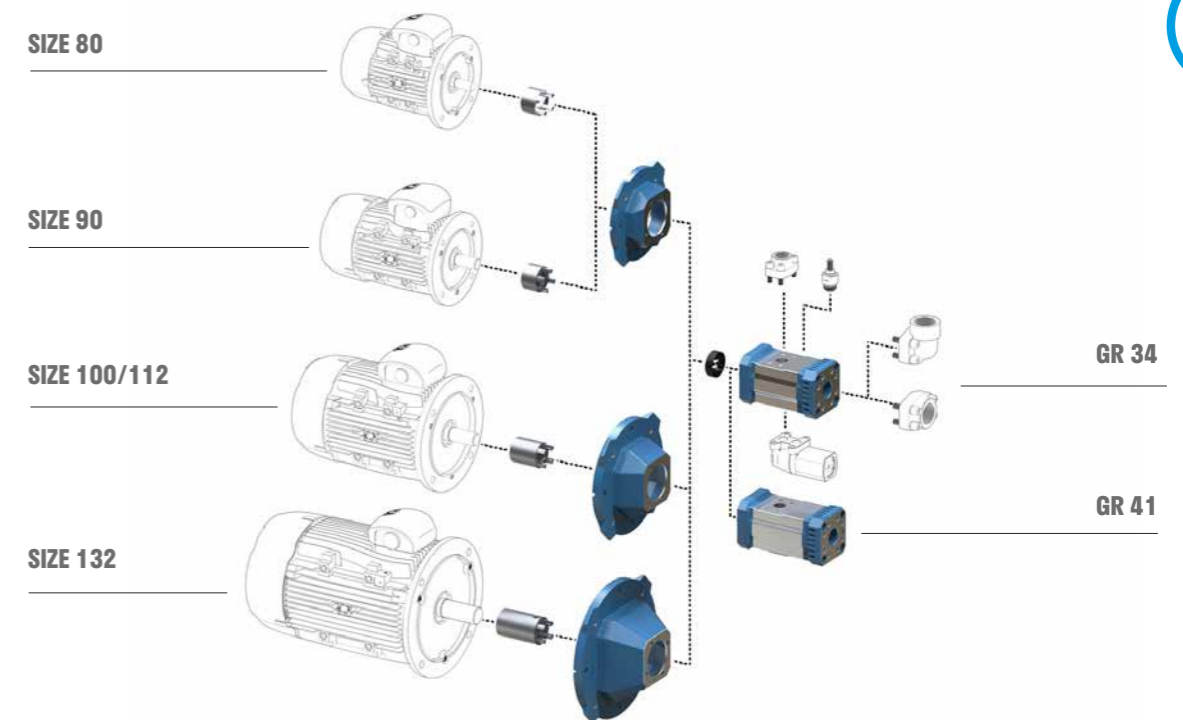
MOTOR COUPLING KITS

SIZE 80

SIZE 90

SIZE 100/112

SIZE 132

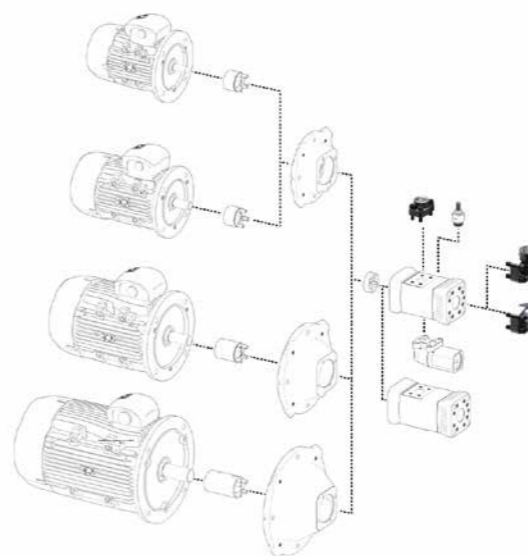


MODULAR

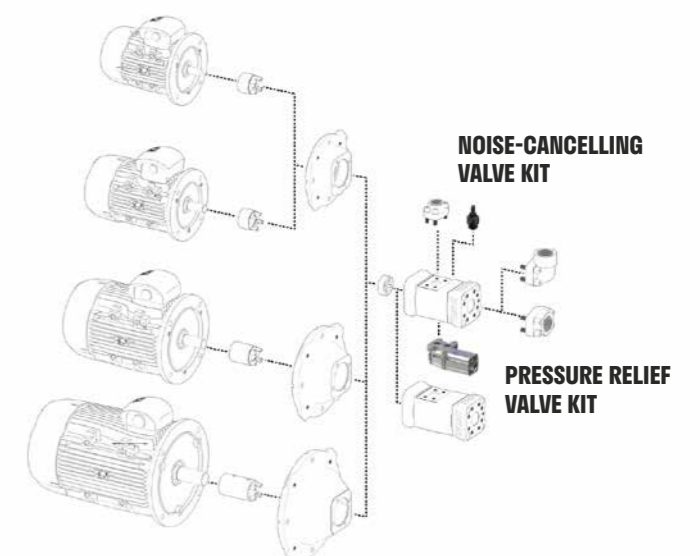


ADAPTIVE

PORT KITS (OPTIONAL)



VALVE KITS (OPTIONAL)



Example for GR34 and GR41 only

BASE PUMP + MOTOR COUPLING KIT



MODULAR



ADAPTIVE

PORTS ORIENTATION OPTIONS

NO SUCTION FLANGE KIT



SUCTION FLANGE KIT: **T1**



SUCTION FLANGE KIT: **T2**



Please contact Settima for T2 + RP valve

SUCTION FLANGE KIT: **T3**



SUCTION FLANGE KIT: **T4**



SUCTION FLANGE KIT: **AX**



Axial suction (SAE - threaded)

VALVE KITS

NOISE-CANCELLING VALVE KIT: **NV**



The NV KIT is engineered to cancel noise and vibrations due to cavitation generated by very high amount of trapped air in the pumped fluid. Very effective in applications such as gears splash lubrication or low volume lube oil systems.

PRESSURE RELIEF VALVE KIT: **RP**



Safety valve with adjustable setting pressure:
(01) 5 ÷ 15 bar
(02) 15 ÷ 50 bar

INSTALLATION

Triumflex® is already equipped with a flange suitable for **Tank Top Installation**.



MODULAR

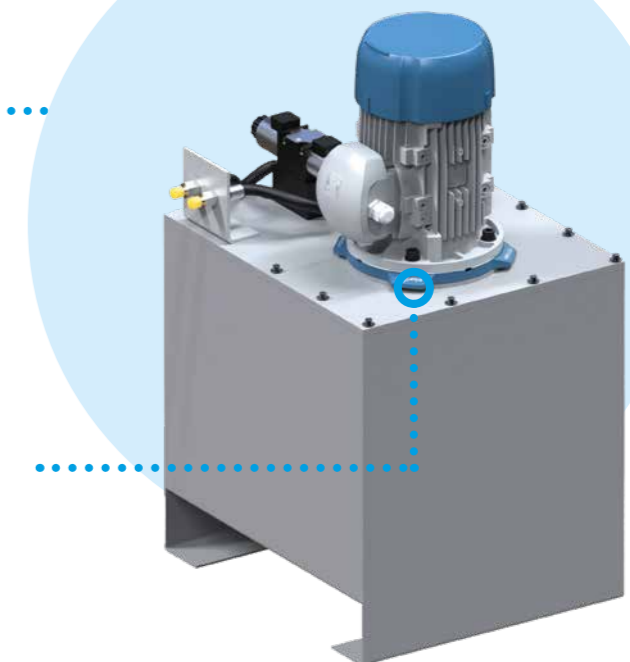


ADAPTIVE

HORIZONTAL INSTALLATION



VERTICAL INSTALLATION



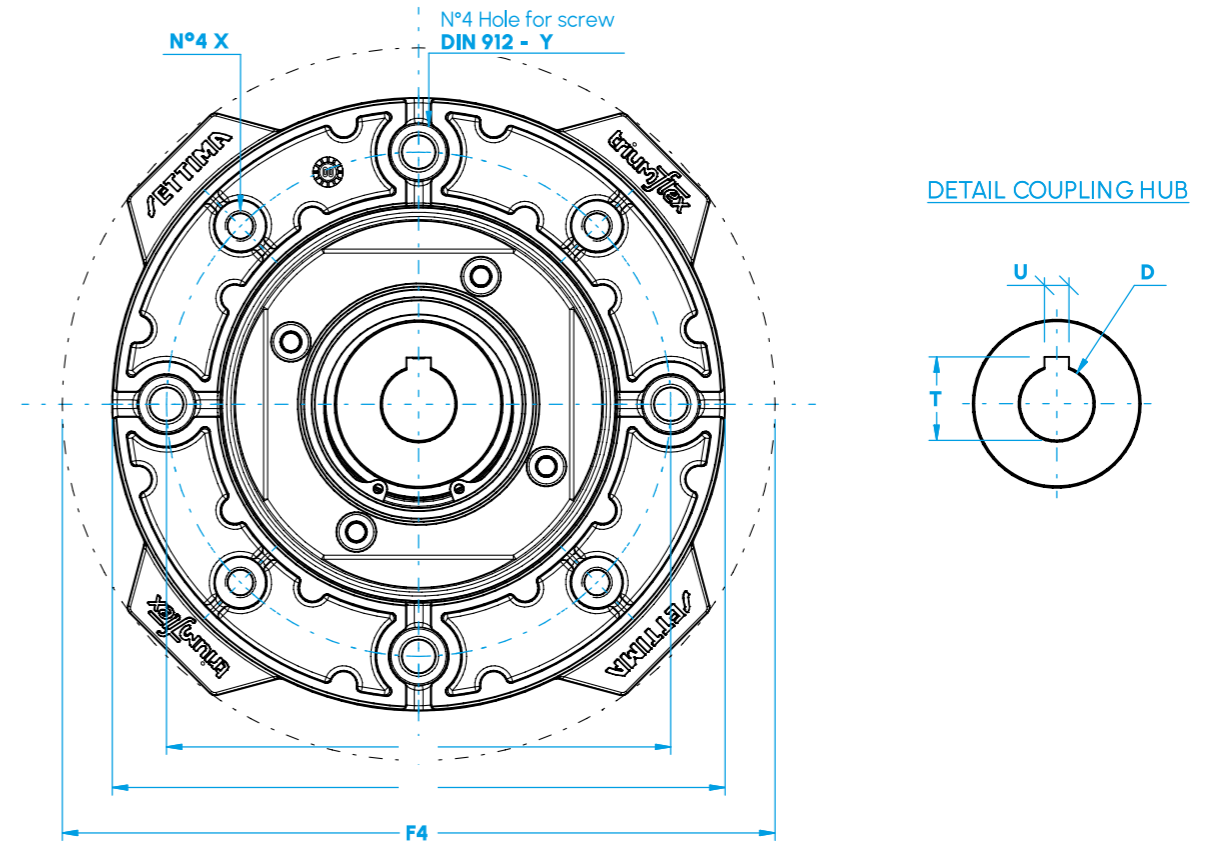
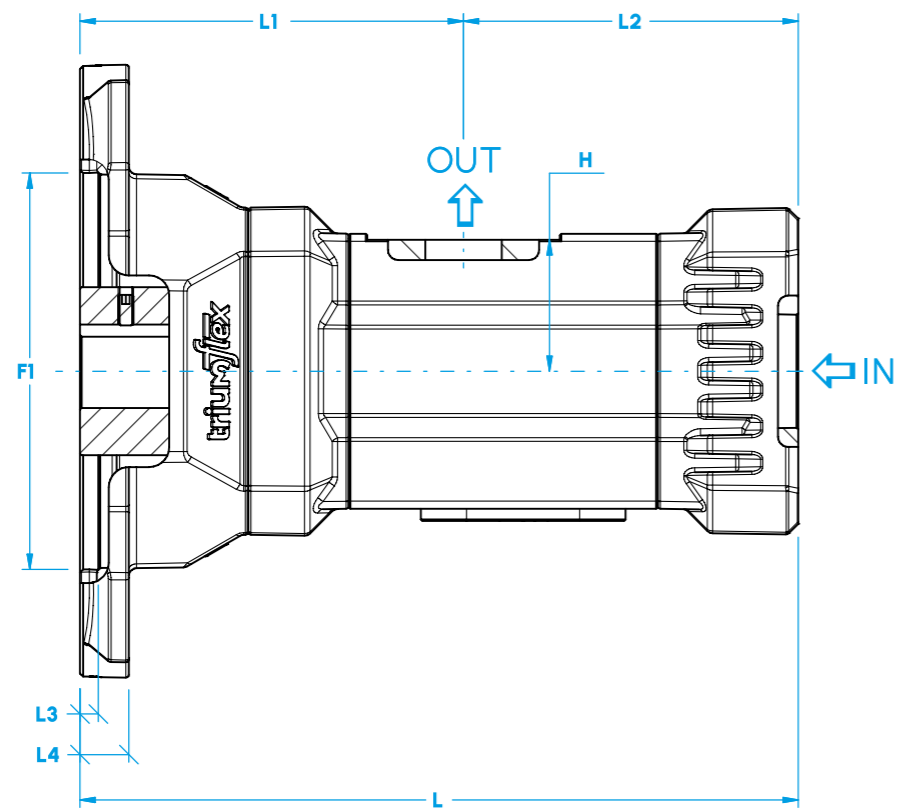
**Built-in
Tank Top Flange**

+ NO EXTRA COST

DIMENSIONAL DRAWINGS



COMPACT



Pump Code	Flange				Shaft					Ports		Pump				
	ØF1	ØF2	ØF3	ØF4	X	Y	D	U	T	IN	OUT	L	L1	L2	L3	L4
SM-TRFX034---M080	130	165	201	233	M10	M10	19	6	21.8	1"½ SAE-3000	1" SAE-3000	235	125.5	109.5	6	16
SM-TRFX034---M090	130	165	201	233	M10	M10	24	8	27.3	1"½ SAE-3000	1" SAE-3000	235	125.5	109.5	6	16
SM-TRFX034---M112	180	215	251	286	M12	M12	28	8	31.3	1"½ SAE-3000	1" SAE-3000	262	152.5	109.5	7	21
SM-TRFX041---M080	130	165	201	233	M10	M10	19	6	21.8	1"½ SAE-3000	1" SAE-3000	255	125.5	129.5	33	65
SM-TRFX041---M090	130	165	201	233	M10	M10	24	8	27.3	1"½ SAE-3000	1" SAE-3000	255	125.5	129.5	43	65
SM-TRFX041---M112	180	215	251	286	M12	M12	28	8	31.3	1"½ SAE-3000	1" SAE-3000	282	152.5	129.5	44	94

CODING SYSTEM

TRIUMFLEX
PUMP

CONFIGURATION

How to configure your TRIUMFLEX® PUMP

The Triumflex® **Ordering Code** is composed of maximum **9 items**.

ITEM	ITEM DESCRIPTION	ITEM CODE
1	Category pump model Triumflex®	SM-TRFX
2	Type	Assembled (A)
3	Pump size	034 - 041 - 046 - 053 - 062
4	Screw pitch	From 034 to 100
5	Motor coupling KIT	From motor size 80 to 200
6	Inlet - Port type	T1 - T2 - T3 - T4 or AX BSPP threaded
7	Outlet - Port type	M BSPP threaded
8	Noise-cancelling valve	NV
9	Pressure relief valve (RP) setting range	5 ÷ 15 bar (01) / 10 ÷ 50 bar (02)

ORDERING CODE EXAMPLE

YOUR TRIUMFLEX® ASSEMBLED PUMP

ITEM 1	ITEM 2	ITEM 3	ITEM 4	ITEM 5	ITEM 6	ITEM 7	ITEM 8	ITEM 9
SM-TRFX	A	034	038	M08	T4	M	NV	01

P/N: SM-TRFXA000001

ORDERING CODE: **SM-TRFXA034038M08T4MNV01**

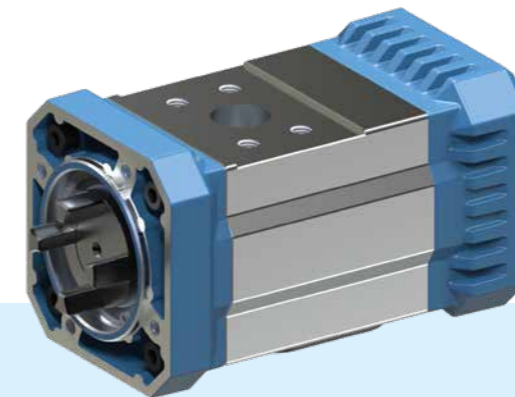
STEP 1

Select your Triumflex® Base Pump

Your **Base Pump** model depends on:

- Your **oil viscosity**
- Required **flow** and **pressure**

[Ref. to Performance Charts pages 42-69]



ORDERING CODE EXAMPLE

TRIUMFLEX® BASE PUMP

ORDERING CODE: **SM-TRFXA034038...**

A = ASSEMBLED PUMP
034 = PUMP SIZE
038 = SCREW PITCH

ITEM	CATEGORY	CODE
1	Triumflex® pump	SM-TRFX

ITEM	TYPE	CODE
2	Assembled	A

ITEM	PUMP SIZE	CODE
3	34	034
	41	041
	46	046
	53	053
	62	062

ITEM	SIZE	SCREW PITCH	CODE
4	34	34	034
		38	038
		50	050
	41	48	048
		58	058
		68	068
	46	62	062
		74	074
		72	072
	53	82	082
		92	092
		76	076
62	90	090	
	100	099	

STEP 2

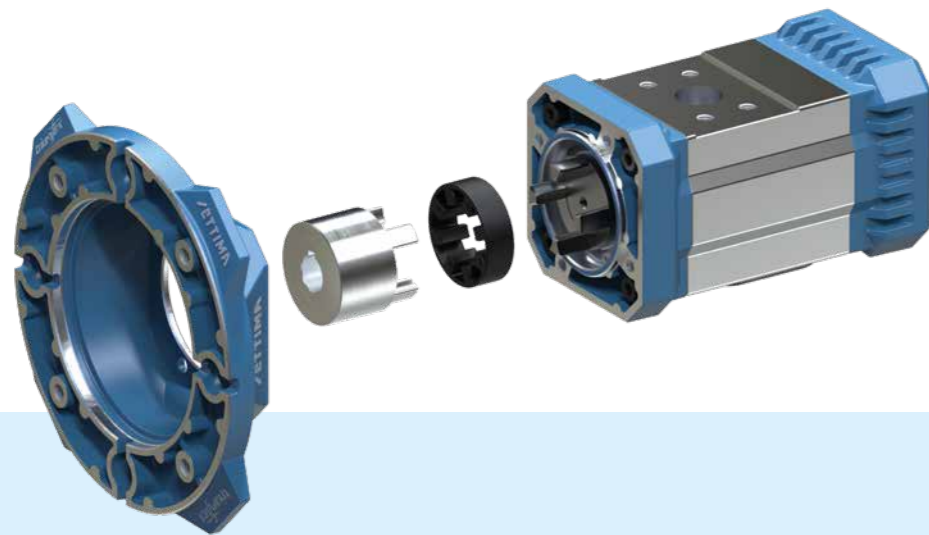
Select your Motor Coupling KIT

Your **Motor Coupling KIT** type depends on:

- Motor **Frequency** (Hz) and **Speed** (rpm)

[Ref. to Performance Charts pages 42-69]

ITEM	COUPLED MOTOR	CODE
5	80	M08
	90	M09
	100-112	M11
	132	M13
	160	M16
	180	M18
	200	M20



ORDERING CODE EXAMPLE

TRIUMFLEX® PUMP + MOTOR COUPLING KIT

ORDERING CODE: **SM-TRFXA034038M08...**

A = ASSEMBLED PUMP
034 = PUMP SIZE
038 = SCREW PITCH
M08 = MOTOR COUPLING KIT 80

STEP 3

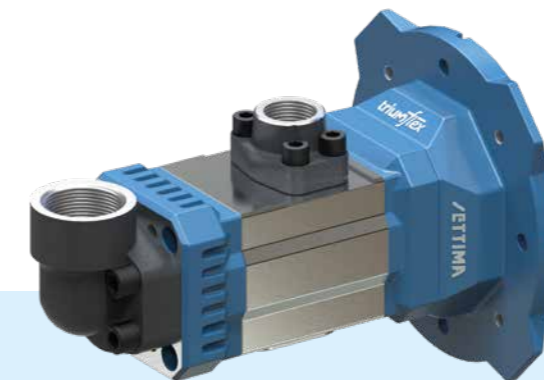
Select your Port type - Suction

Your **Port KIT** type depends on:

- Your **System Layout**

ITEM	INLET PORT TYPE	CODE
6	Without inlet port KIT	--
	Radial-90° T1 BSPP threaded	T1
	Radial-90° T2 BSPP threaded	T2
	Radial-90° T3 BSPP threaded	T3
	Radial-90° T4 BSPP threaded	T4
	Axial BSPP threaded	AX

ITEM	OUTLET PORT TYPE	CODE
7	Without outlet port KIT	--
	BSPP threaded	M



ORDERING CODE EXAMPLE

TRIUMFLEX® PUMP + MOTOR COUPLING KIT + PORT KIT

ORDERING CODE: **SM-TRFXA034038M08T4M...**

A = ASSEMBLED PUMP
034 = PUMP SIZE
038 = SCREW PITCH
M08 = MOTOR COUPLING KIT 80

T4 = RADIAL-90° T4 BSPP THREADED
M = WITH OUTLET PORT BSPP THREADED

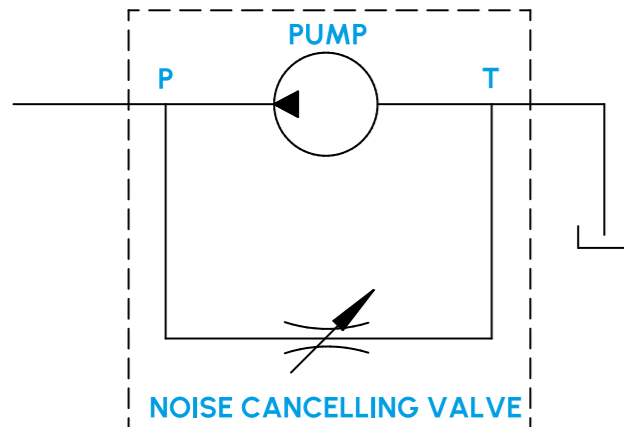


STEP 4

Noise Cancelling Valve KIT

If your system has a very high amount of trapped air select the NV Valve KIT.

ITEM	NOISE-CANCELLING VALVE	CODE
8	Without noise-cancelling valve	--
	With noise-cancelling valve	NV

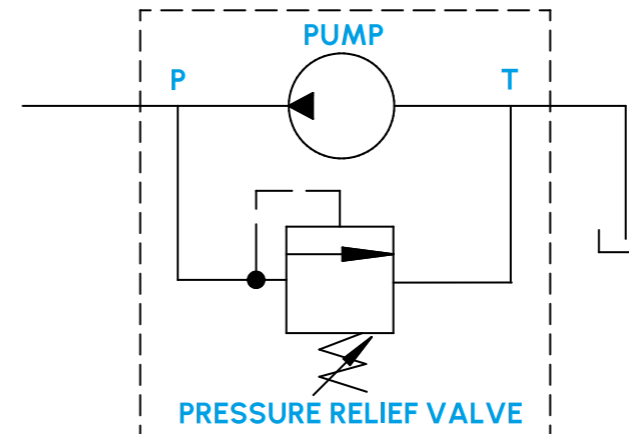


STEP 5

Pressure Relief Valve KIT

If your pump requires protection against overpressure select RP Valve KIT.

ITEM	PRESSURE RELIEF VALVE SETTING RANGE	CODE
9	Without pressure relief valve	--
	2 ÷ 15 bar	01
	10 ÷ 50 bar	02



ORDERING CODE EXAMPLE

TRIUMFLEX® PUMP + MOTOR COUPLING KIT + PORT KIT + NV VALVE KIT

ORDERING CODE: **SM-TRFXA034038M08T4MNV...**

A = ASSEMBLED PUMP
034 = PUMP SIZE
038 = SCREW PITCH
M08 = MOTOR COUPLING KIT 80

T4 = RADIAL-90° T4 BSPP THREADED
M = WITH OUTLET PORT BSPP THREADED
NV = NOISE-CANCELLING VALVE

ORDERING CODE EXAMPLE

TRIUMFLEX® PUMP + MOTOR COUPLING KIT + PORT KIT + NV VALVE KIT + RP VALVE KIT

ORDERING CODE: **SM-TRFXA034038M08T4MNV01**

A = ASSEMBLED PUMP
034 = PUMP SIZE
038 = SCREW PITCH
M08 = MOTOR COUPLING KIT 80

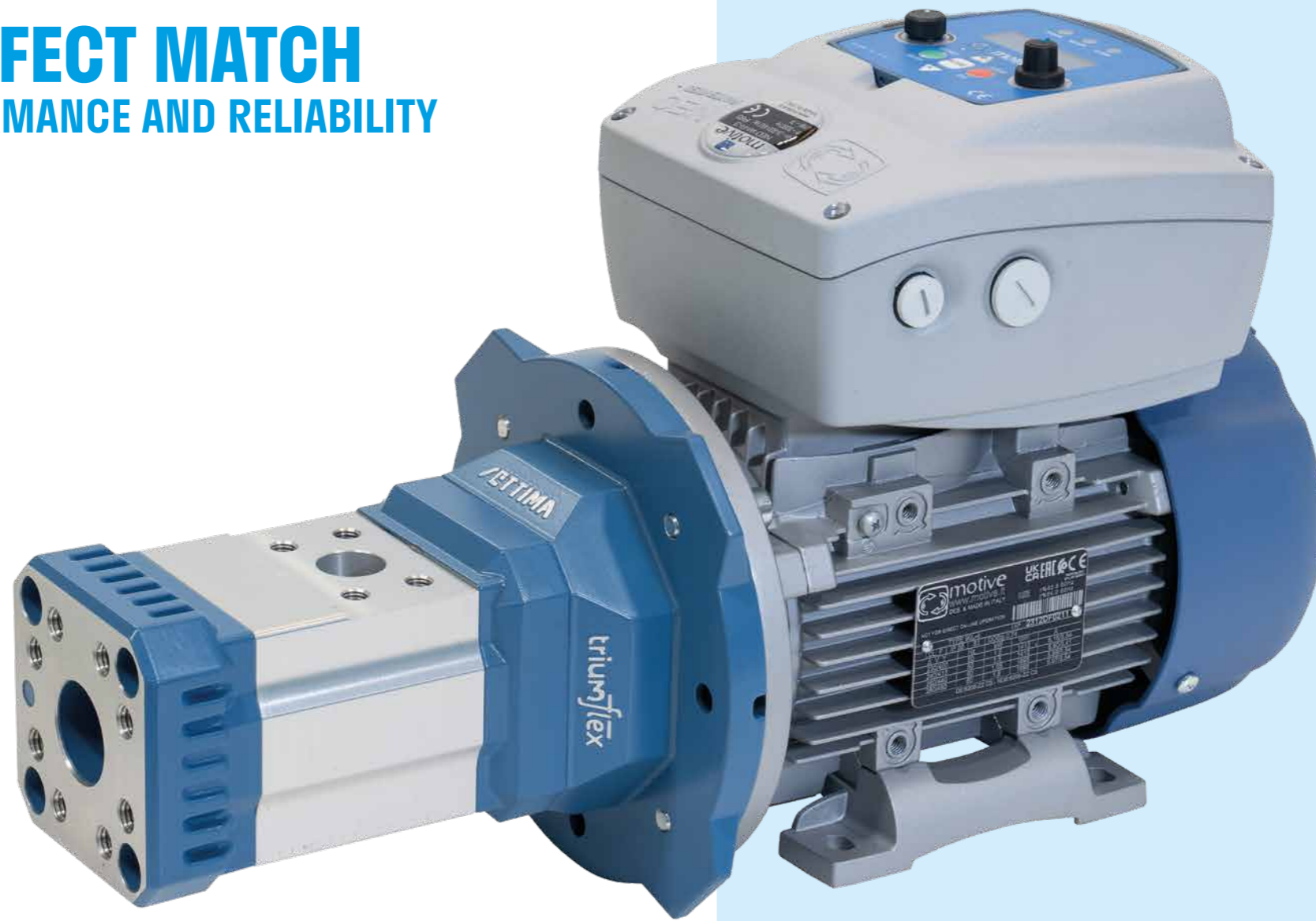
T4 = RADIAL-90° T4 BSPP THREADED
M = WITH OUTLET PORT BSPP THREADED
NV = NOISE-CANCELLING VALVE
01 = PRESSURE RELIEF VALVE (setting range 5÷15 bar)

ALL-IN-ONE SOLUTION

ELECTRO HYDRAULIC GROUPS

ELECTRO-HYDRAULIC GROUPS

THE PERFECT MATCH
BETWEEN PERFORMANCE AND RELIABILITY



SETTIMA®
research & innovation, always

 **motive**®

ADVANTAGES

TRIUMFLEX® + MOTIVE ELECTRO-HYDRAULIC GROUPS

- + SETTIMA technical support for the correct selection of the electro-hydraulic groups
- + Unparalleled product availability
- + Optimal pump-motor combination
- + One-stop shop solution
- + Dedicated solutions for each type of duty
- + Electro-hydraulic groups CE Marking - ATEX Marking

DISTINCTIVE FEATURES

- **TERMINAL BOX:** can be rotated of 360° with steps of 90°.
 - **SIZE 56÷132:** detachable feet that can be fixed on 3 sides of the housing, permitting the terminal box to be positioned on top, right or left.
 - **OPTIONAL PROTECTION DEGREES:** IP 56, IP66 or IP67.
- RUGGED CONSTRUCTION**
- **≥ SIZE 90:** a steel insert in the bearing slot to withstand radial mechanical forces enhancing the safety degree.
 - **FAN COVER:** made of plastic material engineered to make it impact resistant, soundproofing, scratch and rust proof.
 - **SIZE 160÷200:** ZZ auto-lubricated bearings, avoiding the need of a periodical regreasing (less maintenance intensive).

MAIN COMPONENTS

Copper impregnated with a double layer of insulating enamel

- + High resistance to electrical, thermal and mechanical stress

Pull-resistant and fully sealed cable gland

- + Maximum safety against mechanical traction and protection from water infiltration

Premium quality bearings

- + High reliability and durability

Dynamically balanced rotor

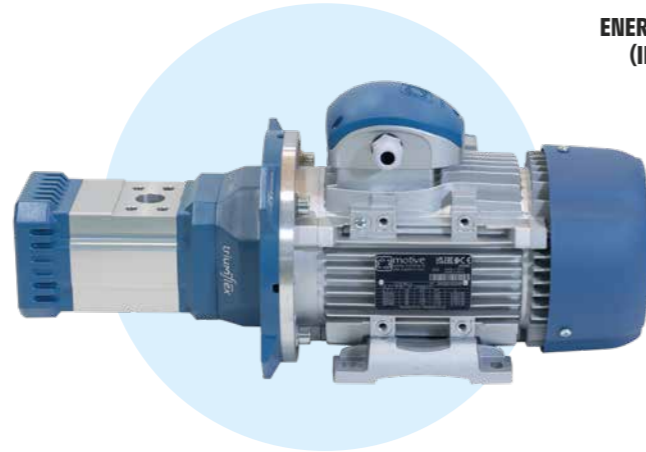
- + Silence and extended service life

TRIUMFLEX®

DELPHI

Motive motors are three-phase, multi-voltage, multi-frequency 50/60Hz, F class insulation, S1 continuous duty service, IP55 protection, IE2, IE3 or IE4 efficiency classes.

Motor size: 56 ÷ 132 Aluminum Frame
Motor size: From 160 ÷ 200 Cast Iron Frame



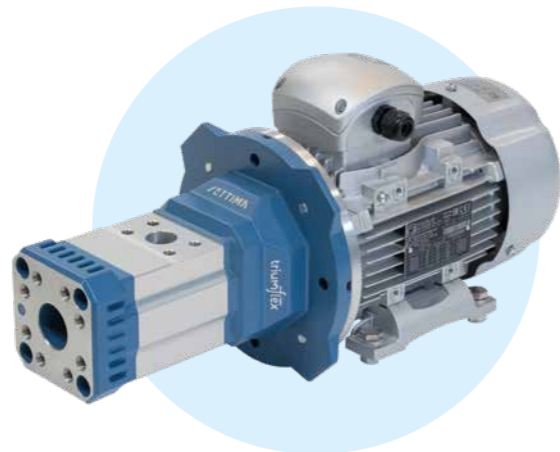
ENERGY EFFICIENCY
(IE2, IE3, IE4)

TRIUMFLEX®

ATEX

Compliant with directive 2014/34/EU covering ATEX zones 1, 2, 21 and 22.

Tamb: -20°C ÷ +40°C



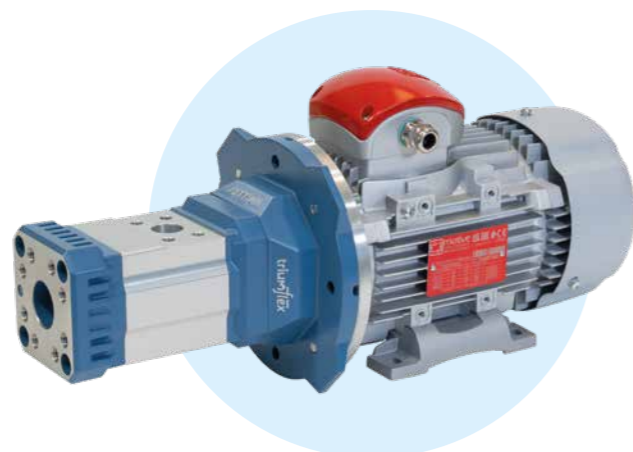
EXPLOSIVE
ATMOSPHERES

TRIUMFLEX®

DELFI

Delfiremotor is an innovative range specifically designed to work in an ambient temperature up to 100°C in S1 continuous duty.

Max oil temp: 80°C
Typical applications: furnaces ventilation, dryers, etc.



HIGH TEMP.
RESISTANT

TRIUMFLEX®

NANO OLEO

Energy saving solution with integrated variable-speed drive.

Unique features: single-phase power supply to run three-phase motor.



VARIABLE
FLOW, PRESSURE,
SPEED, POWER

TRIUMFLEX®

NEO OLEO

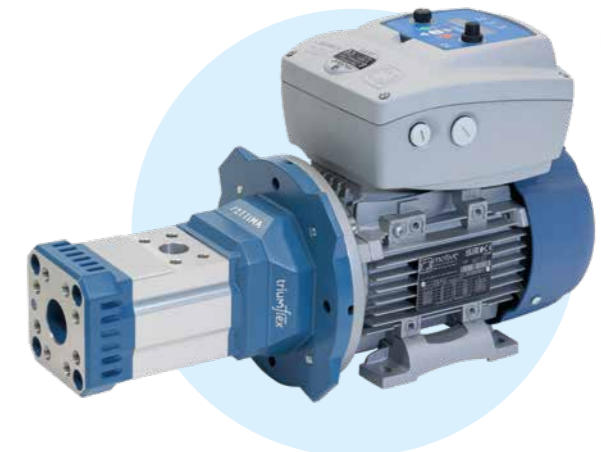
Energy saving solution with integrated variable-speed drive.

Suitable for outdoor installation.

Unique features: Smart programming and control with drastic reduction of installation costs.

Built-in remote and wireless programming and control.

NEO-OLEO version engineered for the automatic control of the flow rate and the pressure of hydraulic power packs.



VARIABLE
FLOW, PRESSURE,
SPEED, POWER

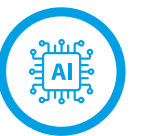
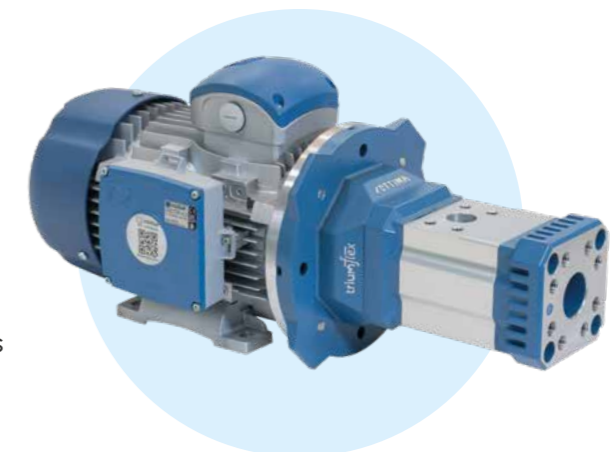
TRIUMFLEX®

DOCTOR 4.0

The predictive maintenance solution to ensure production continuity and productivity of industrial plants.

Unique features: one package of data exchange per second and unlimited power supply (no battery) by means of Ethernet connection.

DOCTOR 4.0 learns normal and abnormal operation by itself. It measures temperature, vibration, noise, magnetic flux, partial and total working time, etc.



AI PLATFORM



PREDICTIVE
MAINTENANCE

All motors designed and tested for use in ATEX zones 1, 2, 21 and 22.

II 2G Ex eb IIC T4 Gb
II 2D Ex tb IIIC T135°C IP65 Db
Ambient temp. = -20 +40 °C

Option only for IE3 motors:
II 2G Ex eb IIC T3 Gb
II 2D Ex tb IIIC T135°C IP65 Db
Ambient temp. = -20 +50 °C

DELFIRESERIES

Engineered to ensure enhanced H-class temperature increase: double winding impregnation, special stator coating and critical components specific for high temperature. The special coating also contributes to drastically increase the service life of the motor.



NANO

Setting and control also by means of a free PC interface program "Motive Motor Manager".

TABLE RP: POWER RANGE OF MOTORS THAT CAN BE CONNECTED (AT 230VAC)										
KW motor	0,13	0,18	0,25	0,37	0,55	0,75	1,1	1,5	1,9	2,2
NANO-0.75										
NANO-2.2										

TABLE RD: SIZE RANGE OF IEC MOTORS THAT CAN BE CONNECTED									
IEC Motor	63	71	80	90S	90L	0.75	100L	112M	132S
NANO-0.75									
NANO-2.2									

NEO

The keypad is available in two versions: with or without analog controls. It can be automatically powered by induction or rechargeable batteries.

IP65 protection degree against dust and water, suitable for outdoor installation.

A keypad can control simultaneously, or separately, up to 8 electrohydraulic groups.

NEO and NANO can be set and controlled by smartphone or tablet thanks to the App NEO or by a Bluetooth transmitter BLUE.



POWER RANGE OF MOTORS THAT CAN BE CONNECTED (AT 400VAC)																			
KW motor	0,2	0,3	0,4	0,6	0,8	1,1	1,5	1,9	2,2	3	4	5	5,5	7,5	9,2	11	15	19	22
NEO-WiFi-3																			
NEO-WiFi-4																			
NEO-WiFi-5,5																			
NEO-WiFi-11																			
NEO-WiFi-22																			

Also available for ATEX version zones 21-22 categories II and III dust.

CODING SYSTEM

**ELECTRO
HYDRAULIC
GROUPS**

CONFIGURATION

HOW TO CONFIGURE YOUR TRIUMFLEX® ELECTRO-HYDRAULIC GROUPS



If you have configured your Triumflex® pump (Ex. SM-TRFXA034038M08T4MNV01) and you would like to configure your Triumflex® electro-hydraulic group, change **SM-TRFXA034038M08T4MNV01** with **SM-TFGA034038M08T4MNV01** and then start your configuration from **Item 10**.

ITEM	ITEM DESCRIPTION	ITEM CODE
1	Category pump model Triumflex®	SM-TFG
2	Type	Assembled (A)
3	Pump size	034 - 041 - 046 - 053 - 062
4	Screw pitch	From 034 to 100
5	Motor coupling KIT	From motor size 80 to 200
6	Inlet - Port type	T1 - T2 - T3 - T4 or AX BSPP threaded
7	Outlet - Port type	M BSPP threaded
8	Noise-cancelling valve	NV
9	Pressure relief valve (RP) setting range	5 ÷ 15 bar (01) / 10 ÷ 50 bar (02)
10	Variable frequency drive type	Without VFD, NANO or NEO
11	Motor number of poles	2 - 4 - 6 poles
12	Motor power (kW)	From 0,75 kW to 30 kW
13	Motor voltage (V)	230-400 V / 400-690 V
14	Motor frequency	50 Hz - 60 Hz
15	ATEX motor	Yes or No
16	Group Assembly Orientation	N1,2,3,4. M1,2,3,4. R1,2,3,4. L1,2,3,4.
17	Custom Option	M000

STEP 6

Select variable frequency drive type

- Triumflex® NANO/NANO OLEO (NA)
- Triumflex® NEO/NEO OLEO (NE)

ITEM	VARIABLE FREQUENCY DRIVE TYPE	CODE
10	Without VFD	--
	Nano VFD	NA
	NEO VFD	NE

[NA]



[NE]



STEP 7

Select motor number of poles

ITEM	MOTOR NUMBER OF POLES	CODE
11	2 poles	2
	4 poles	4
	6 poles	6

ORDERING CODE EXAMPLE

YOUR TRIUMFLEX® ELECTRO-HYDRAULIC GROUP

ITEM 1	...	ITEM 9	ITEM 10	ITEM 11	ITEM 12	ITEM 13	ITEM 14	ITEM 15	/	ITEM 16
SM-TFG	...	NA	2	007	02	05	A	N1	/	M000

P/N: SM-TFGA000001

ORDERING CODE: **SM-TFGA034038M08T4MNV01/NA20070205AN1**

ORDERING CODE EXAMPLE

TRIUMFLEX® ELECTRO-HYDRAULIC GROUP

ORDERING CODE: **SM-TFGa034038M08t4MNV01/NA2...**

NA = NANO VARIABLE FREQUENCY DRIVE
2 = 2 POLES MOTOR

STEP 8

Select power (kW)

ITEM	MOTOR SIZE	POWER (kW)	CODE
12	80 - 2 poles	0,75	007
		1,1	011
	80 - 4 poles	0,55	005
		0,75	007
	80 - 6 poles	0,37	003
		0,55	005
	90 - 2 poles	1,5	015
		2,2	022
	90 - 4 poles	1,1	011
		1,5	015
	90 - 6 poles	0,75	007
		1,1	011
	100 - 2 poles	3	030
	100 - 4 poles	2,2	022
		3	030
	100 - 6 poles	1,5	015
	112 - 2 poles	4	040
	112 - 4 poles	4	040
112 - 6 poles	2,2	022	
132 - 2 poles	5,5	055	
	7,5	075	
	9,2	092	

ITEM	MOTOR SIZE	POWER (kW)	CODE
12	132 - 4 poles	5,5	055
		7,5	075
		9,2	092
	132 - 6 poles	3	030
		4	040
		5,5	055
	160 - 2 poles	11	110
		15	150
		18,5	185
	160 - 4 poles	11	110
		15	150
	160 - 6 poles	7,5	075
		11	110
	180 - 2 poles	22	220
	180 - 4 poles	18,5	185
		22	220
	180 - 6 poles	15	150
	200 - 2 poles	30	300
		37	370
	200 - 4 poles	30	300
18,5		185	
200 - 6 poles	22	220	

STEP 9

Select motor voltage (V)

ITEM	MOTOR VOLTAGE	CODE
13	230 - 400 V	02
	400 - 690 V	04

STEP 10

Select motor frequency (Hz)

ITEM	MOTOR FREQUENCY	CODE
14	50 Hz	05
	60 Hz	06
	50 - 60 Hz	56

STEP 11

Select ATEX motor

ITEM	ATEX MOTOR	CODE
15	No	-
	Yes	A

ORDERING CODE EXAMPLE

TRIUMFLEX® ELECTRO-HYDRAULIC GROUP

ORDERING CODE: **SM-TFGA034038M08t4MNV01/NA2007...**

NA = NANO VARIABLE FREQUENCY DRIVE
 2 = 2 POLES MOTOR
 007 = 0,75 kW (80 - 2 POLES)

ORDERING CODE EXAMPLE

TRIUMFLEX® ELECTRO-HYDRAULIC GROUP

ORDERING CODE: **SM-TFGA034038M08t4MNV01/NA20070205A...**

NA = NANO VARIABLE FREQUENCY DRIVE
 2 = 2 POLES MOTOR
 007 = 0,75 kW (80 - 2 POLES)
 02 = 230-400 V (Voltage)

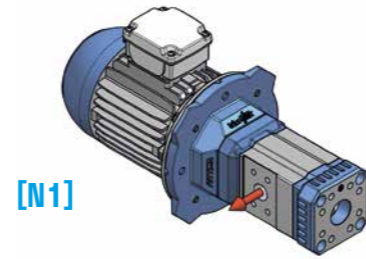
05 = 50 Hz (Motor Frequency)
 A = ATEX

STEP 12

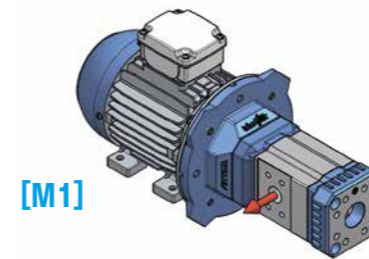
Select group assembly orientation

Motor feet and wiring box configuration.

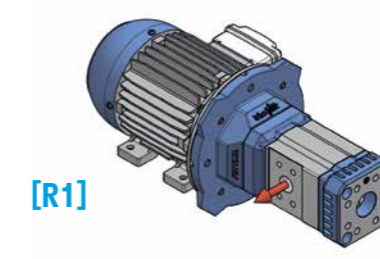
ITEM	GROUP ASSEMBLY ORIENTATION	CODE
16	B5 - M270	N1
	B5 - M000	N2
	B5 - M090	N3
	B5 - M180	N4
	B35 - UP - M270	M1
	B35 - UP - M000	M2
	B35 - UP - M090	M3
	B35 - UP - M180	M4
	B35 - RIGHT - M270	R1
	B35 - RIGHT - M000	R2
	B35 - RIGHT - M090	R3
	B35 - RIGHT - M180	R4
	B35 - LEFT - M270	L1
	B35 - LEFT - M000	L2
	B35 - LEFT - M090	L3
	B35 - LEFT - M180	L4



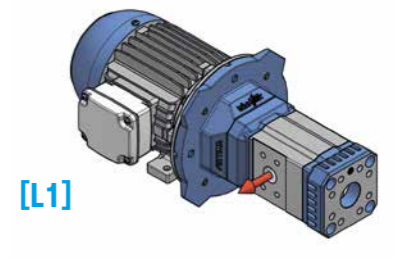
[N1]



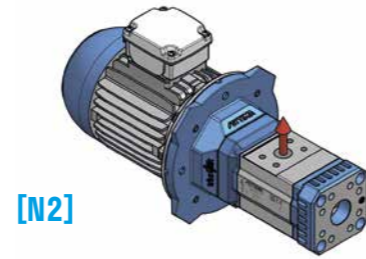
[M1]



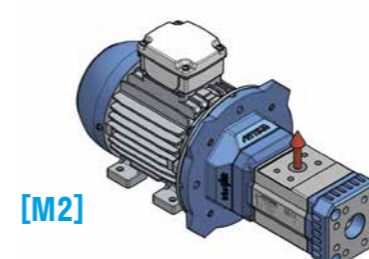
[R1]



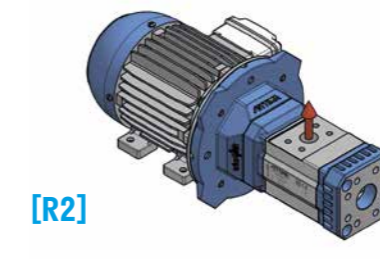
[L1]



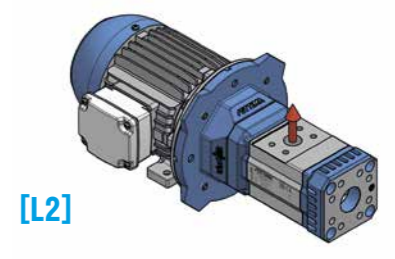
[N2]



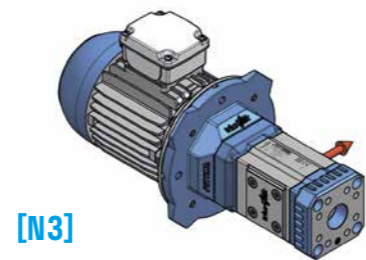
[M2]



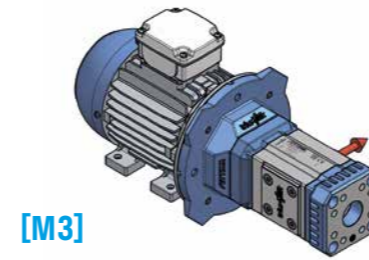
[R2]



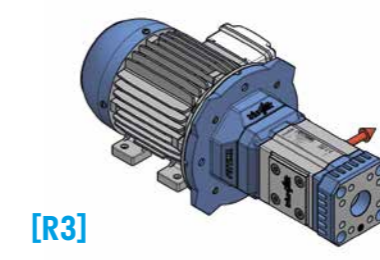
[L2]



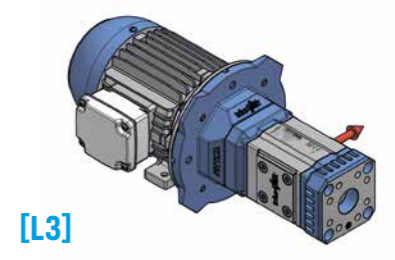
[N3]



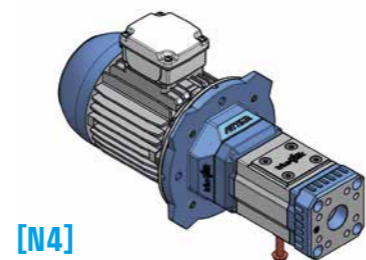
[M3]



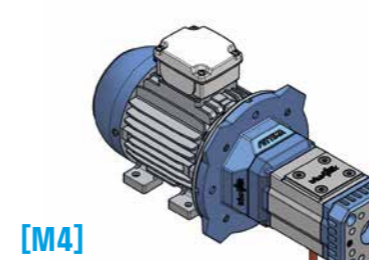
[R3]



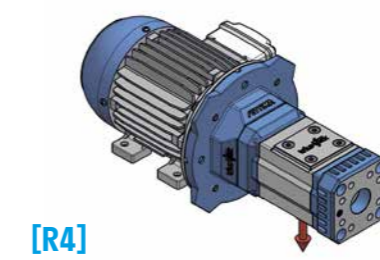
[L3]



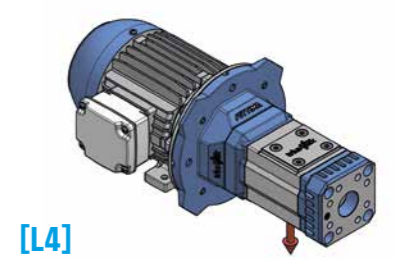
[N4]



[M4]



[R4]



[L4]

ORDERING CODE EXAMPLE

TRIUMFLEX® ELECTRO-HYDRAULIC GROUP

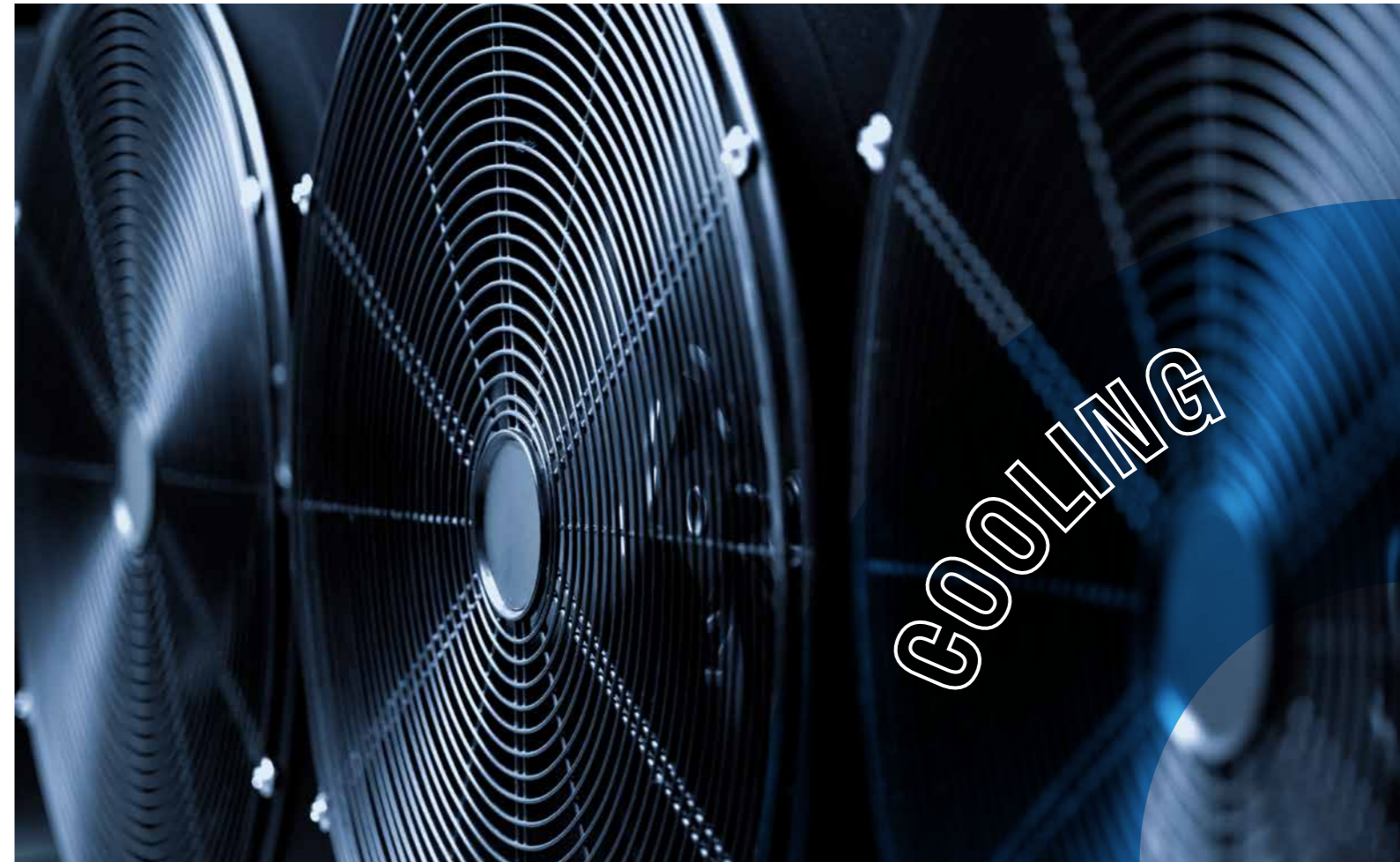
ORDERING CODE: **SM-TFGA034038M08t4MNV01/NA20070205AN1**

NA = NANO VARIABLE FREQUENCY DRIVE
 2 = 2 POLES MOTOR
 007 = 0,75 kW (80 - 2 POLES)
 02 = 230-400 V (Voltage)

05 = 50 Hz (Motor Frequency)
 A = ATEX
 N1 = Group Assembly Orientation



FILTRAZIONE



RAFFRESCAMENTO



TRASFERIMENTO OLIO



LUBRIFICAZIONE

PERFORMANCE CHART

50HZ
SERIES

50HZ SERIES

SM-TRFXA034034

PERFORMANCE CHART

Fluid Viscosity	cSt	15									46									100								
		950			1450			2900			950			1450			2900			950			1450			2900		
Motor Speed	rpm	Flow [L/min]	Abs. Power [kW]	Motor Size [Frame (kW)]	Flow [L/min]	Abs. Power [kW]	Motor Size [Frame (kW)]	Flow [L/min]	Abs. Power [kW]	Motor Size [Frame (kW)]	Flow [L/min]	Abs. Power [kW]	Motor Size [Frame (kW)]	Flow [L/min]	Abs. Power [kW]	Motor Size [Frame (kW)]	Flow [L/min]	Abs. Power [kW]	Motor Size [Frame (kW)]	Flow [L/min]	Abs. Power [kW]	Motor Size [Frame (kW)]	Flow [L/min]	Abs. Power [kW]	Motor Size [Frame (kW)]	Flow [L/min]	Abs. Power [kW]	Motor Size [Frame (kW)]
Base Pump Model SM-TRFXA034034	0	19	0.1	80 (0.37)	28	0.1	80 (0.55)	57	0.3	80 (0.75)	19	0.1	80 (0.37)	28	0.2	80 (0.55)	57	0.5	80 (0.75)	19	0.1	80 (0.37)	28	0.2	80 (0.55)	57	0.6	80 (0.75)
	5	15	0.2	80 (0.37)	24	0.3	80 (0.55)	53	0.8	80 (1.1)	16	0.2	80 (0.37)	26	0.4	80 (0.55)	54	0.9	80 (1.1)	17	0.3	80 (0.37)	27	0.5	80 (0.55)	55	1.1	90 (1.5)
	10	13	0.4	80 (0.55)	23	0.6	80 (0.75)	51	1.3	90 (1.5)	15	0.4	80 (0.55)	25	0.6	80 (0.75)	53	1.4	90 (1.5)	16	0.4	80 (0.55)	26	0.7	80 (0.75)	54	1.6	90 (2.2)
	15	12	0.5	80 (0.55)	21	0.8	90 (1.1)	50	1.7	90 (2.2)	14	0.6	90 (0.75)	24	0.9	90 (1.1)	53	1.9	90 (2.2)	16	0.6	90 (0.75)	26	1	90 (1.1)	54	2.1	90 (2.2)
	20	11	0.7	90 (0.75)	20	1.1	90 (1.5)	49	2.2	100 (3)	14	0.7	90 (0.75)	23	1.1	90 (1.5)	52	2.4	100 (3)	15	0.8	90 (1.1)	25	1.2	90 (1.5)	53	2.6	100 (3)
	25	10	0.8	90 (1.1)	19	1.3	90 (1.5)	48	2.7	100 (3)	13	0.8	90 (1.1)	23	1.4	90 (1.5)	51	2.9	100 (3)	15	0.9	90 (1.1)	25	1.4	90 (1.5)	53	3.1	112 (4)
	30	9	1	90 (1.1)	19	1.5	100 (2.2)	47	3.2	112 (4)	13	1	90 (1.1)	22	1.6	100 (2.2)	51	3.4	132 (5.5)	15	1.1	100 (1.5)	24	1.7	100 (2.2)	53	3.6	112 (4)
	35	8	1.2	100 (1.5)	18	1.8	100 (2.2)	46	3.7	112 (4)	12	1.2	100 (1.5)	22	1.9	100 (2.2)	50	3.9	132 (5.5)	14	1.2	100 (1.5)	24	1.9	100 (2.2)	52	4.1	132 (5.5)
	40	7	1.3	100 (1.5)	17	2	100 (2.2)	45	4.2	132 (5.5)	12	1.3	100 (1.5)	21	2.1	100 (2.2)	50	4.4	132 (5.5)	14	1.4	100 (1.5)	24	2.2	100 (3)	52	4.6	132 (5.5)
	45	7	1.5	112 (2.2)	16	2.3	100 (3)	45	4.6	132 (5.5)	11	1.5	112 (2.2)	21	2.3	100 (3)	49	4.9	132 (5.5)	14	1.5	112 (2.2)	23	2.4	100 (3)	52	5.1	132 (5.5)
50	6	1.6	112 (2.2)	16	2.5	100 (3)	44	5.1	132 (5.5)	11	1.7	112 (2.2)	21	2.6	100 (3)	49	5.3	132 (5.5)	13	1.7	112 (2.2)	23	2.7	100 (3)	52	5.6	132 (7.5)	

Fluid Viscosity	cSt	220									320									460								
		950			1450			2900			950			1450			2900			950			1450			2900		
Motor Speed	rpm	Flow [L/min]	Abs. Power [kW]	Motor Size [Frame (kW)]	Flow [L/min]	Abs. Power [kW]	Motor Size [Frame (kW)]	Flow [L/min]	Abs. Power [kW]	Motor Size [Frame (kW)]	Flow [L/min]	Abs. Power [kW]	Motor Size [Frame (kW)]	Flow [L/min]	Abs. Power [kW]	Motor Size [Frame (kW)]	Flow [L/min]	Abs. Power [kW]	Motor Size [Frame (kW)]	Flow [L/min]	Abs. Power [kW]	Motor Size [Frame (kW)]	Flow [L/min]	Abs. Power [kW]	Motor Size [Frame (kW)]	Flow [L/min]	Abs. Power [kW]	Motor Size [Frame (kW)]
Base Pump Model SM-TRFXA034034	0	19	0.2	80 (0.37)	28	0.3	80 (0.55)	57	0.9	80 (1.1)	19	0.2	80 (0.37)	28	0.4	80 (0.55)	57	1	80 (1.1)	19	0.2	80 (0.37)	28	0.4	80 (0.55)	57	1.1	90 (1.5)
	5	17	0.3	80 (0.37)	27	0.5	80 (0.55)	56	1.4	90 (2.2)	18	0.3	80 (0.37)	27	0.6	80 (0.75)	56	1.5	90 (2.2)	18	0.4	80 (0.37)	28	0.7	80 (0.75)	56	1.7	90 (2.2)
	10	17	0.5	80 (0.55)	27	0.8	90 (1.1)	55	1.9	90 (2.2)	17	0.5	80 (0.55)	27	0.8	90 (1.1)	55	2	90 (2.2)	17	0.5	80 (0.55)	27	0.9	90 (1.1)	56	2.2	100 (3)
	15	17	0.6	90 (0.75)	26	1	90 (1.1)	55	2.4	100 (3)	17	0.7	90 (0.75)	27	1.1	90 (1.5)	55	2.5	100 (3)	17	0.7	90 (0.75)	27	1.1	90 (1.5)	55	2.7	100 (3)
	20	16	0.8	90 (1.1)	26	1.3	90 (1.5)	55	2.9	100 (3)	17	0.8	90 (1.1)	27	1.3	90 (1.5)	55	3	112 (4)	17	0.9	90 (1.1)	27	1.4	90 (1.5)	55	3.2	112 (4)
	25	16	1	90 (1.1)	26	1.5	100 (2.2)	54	3.4	112 (4)	17	1	90 (1.1)	26	1.6	100 (2.2)	55	3.5	112 (4)	17	1	90 (1.1)	27	1.7	100 (2.2)	55	3.7	112 (4)
	30	16	1.1	100 (1.5)	26	1.8	100 (2.2)	54	3.9	112 (4)	16	1.2	100 (1.5)	26	1.8	100 (2.2)	54	4	132 (5.5)	17	1.2	100 (1.5)	26	1.9	100 (2.2)	55	4.2	132 (5.5)
	35	16	1.3	100 (1.5)	25	2	100 (2.2)	54	4.4	132 (5.5)	16	1.3	100 (1.5)	26	2.1	100 (2.2)	54	4.5	132 (5.5)	17	1.3	100 (1.5)	26	2.2	100 (3)	55	4.7	132 (5.5)
	40	15	1.4	112 (2.2)	25	2.3	100 (3)	54	4.9	132 (5.5)	16	1.4	100 (1.5)	26	2.3	100 (3)	54	5	132 (5.5)	16	1.5	112 (2.2)	26	2.4	100 (3)	55	5.2	132 (5.5)
	45	15	1.6	112 (2.2)	25	2.5	100 (3)	53	5.4	132 (5.5)	16	1.6	112 (2.2)	26	2.6	100 (3)	54	5.5	132 (7.5)	16	1.7	112 (2.2)	26	2.7	100 (3)	54	5.7	132 (7.5)
50	15	1.8	112 (2.2)	25	2.8	100 (3)	53	5.9	132 (7.5)	16	1.8	112 (2.2)	25	2.8	100 (3)	54	6.1	132 (7.5)	16	1.8	112 (2.2)	26	2.9	100 (3)	54	6.3	132 (7.5)	

The performances refer to the Triumflex® pump coupled to a Motive motor.

50HZ SERIES

SM-TRFXA034038

PERFORMANCE CHART

Fluid Viscosity	cSt	15									46									100								
		950			1450			2900			950			1450			2900			950			1450			2900		
		Motor Speed	rpm	bar	Flow [L/min]	Abs. Power [kW]	Motor Size [Frame (kW)]	Flow [L/min]	Abs. Power [kW]	Motor Size [Frame (kW)]	Flow [L/min]	Abs. Power [kW]	Motor Size [Frame (kW)]	Flow [L/min]	Abs. Power [kW]	Motor Size [Frame (kW)]	Flow [L/min]	Abs. Power [kW]	Motor Size [Frame (kW)]	Flow [L/min]	Abs. Power [kW]	Motor Size [Frame (kW)]	Flow [L/min]	Abs. Power [kW]	Motor Size [Frame (kW)]	Flow [L/min]	Abs. Power [kW]	Motor Size [Frame (kW)]
Pump Model SM-TRFXA034038	0	21	0.1	80 (0.37)	32	0.1	80 (0.55)	63	0.3	80 (0.75)	21	0.1	80 (0.37)	32	0.2	80 (0.55)	63	0.5	80 (0.75)	21	0.1	80 (0.37)	32	0.2	80 (0.55)	63	0.7	80 (0.75)
	5	16	0.2	80 (0.37)	27	0.4	80 (0.55)	59	0.9	80 (1.1)	18	0.3	80 (0.37)	29	0.5	80 (0.55)	61	1.1	90 (1.5)	19	0.3	80 (0.37)	30	0.5	80 (0.55)	62	1.2	90 (1.5)
	10	14	0.4	80 (0.55)	25	0.7	80 (0.75)	57	1.4	90 (1.5)	17	0.4	80 (0.55)	28	0.7	80 (0.75)	60	1.6	90 (2.2)	18	0.5	80 (0.55)	29	0.8	90 (1.1)	61	1.8	90 (2.2)
	15	13	0.6	90 (0.75)	24	0.9	90 (1.1)	56	1.9	90 (2.2)	16	0.6	90 (0.75)	27	1	90 (1.1)	59	2.1	90 (2.2)	18	0.7	90 (0.75)	29	1.1	90 (1.5)	60	2.4	100 (3)
	20	12	0.8	90 (1.1)	23	1.2	90 (1.5)	55	2.5	100 (3)	15	0.8	90 (1.1)	26	1.3	90 (1.5)	58	2.7	100 (3)	17	0.8	90 (1.1)	28	1.3	90 (1.5)	60	2.9	100 (3)
	25	11	0.9	90 (1.1)	22	1.5	100 (2.2)	53	3	112 (4)	15	1	90 (1.1)	26	1.5	100 (2.2)	57	3.2	112 (4)	17	1	90 (1.1)	28	1.6	100 (2.2)	59	3.5	112 (4)
	30	10	1.1	100 (1.5)	21	1.7	100 (2.2)	53	3.6	112 (4)	14	1.2	100 (1.5)	25	1.8	100 (2.2)	57	3.8	112 (4)	16	1.2	100 (1.5)	27	1.9	100 (2.2)	59	4	132 (5.5)
	35	9	1.3	100 (1.5)	20	2	100 (2.2)	52	4.1	132 (5.5)	14	1.3	100 (1.5)	24	2.1	100 (2.2)	56	4.3	132 (5.5)	16	1.4	100 (1.5)	27	2.2	100 (3)	59	4.6	132 (5.5)
	40	8	1.5	112 (2.2)	19	2.3	100 (3)	51	4.6	132 (5.5)	13	1.5	112 (2.2)	24	2.3	100 (3)	56	4.9	132 (5.5)	16	1.6	112 (2.2)	26	2.4	100 (3)	58	5.1	132 (5.5)
	45	7	1.6	112 (2.2)	18	2.5	100 (3)	50	5.2	132 (5.5)	13	1.7	112 (2.2)	24	2.6	100 (3)	55	5.4	132 (5.5)	15	1.7	112 (2.2)	26	2.7	100 (3)	58	5.7	132 (7.5)
50	7	1.8	112 (2.2)	18	2.8	100 (3)	49	5.7	132 (7.5)	12	1.9	112 (2.2)	23	2.9	100 (3)	55	6	132 (7.5)	15	1.9	112 (2.2)	26	3	112 (4)	58	6.2	132 (7.5)	

Fluid Viscosity	cSt	220									320									460								
		950			1450			2900			950			1450			2900			950			1450			2900		
		Motor Speed	rpm	bar	Flow [L/min]	Abs. Power [kW]	Motor Size [Frame (kW)]	Flow [L/min]	Abs. Power [kW]	Motor Size [Frame (kW)]	Flow [L/min]	Abs. Power [kW]	Motor Size [Frame (kW)]	Flow [L/min]	Abs. Power [kW]	Motor Size [Frame (kW)]	Flow [L/min]	Abs. Power [kW]	Motor Size [Frame (kW)]	Flow [L/min]	Abs. Power [kW]	Motor Size [Frame (kW)]	Flow [L/min]	Abs. Power [kW]	Motor Size [Frame (kW)]	Flow [L/min]	Abs. Power [kW]	Motor Size [Frame (kW)]
Pump Model SM-TRFXA034038	0	21	0.2	80 (0.37)	32	0.3	80 (0.55)	63	1	80 (1.1)	21	0.2	80 (0.37)	32	0.4	80 (0.55)	63	1.1	90 (1.5)	21	0.2	80 (0.37)	32	0.5	80 (0.55)	63	1.3	90 (1.5)
	5	20	0.4	80 (0.55)	30	0.6	80 (0.75)	62	1.5	90 (2.2)	20	0.4	80 (0.55)	31	0.7	80 (0.75)	62	1.7	90 (2.2)	20	0.4	80 (0.55)	31	0.7	80 (0.75)	63	1.9	90 (2.2)
	10	19	0.5	80 (0.55)	30	0.9	90 (1.1)	62	2.1	90 (2.2)	19	0.6	90 (0.75)	30	0.9	90 (1.1)	62	2.2	100 (3)	20	0.6	90 (0.75)	30	1	90 (1.1)	62	2.4	100 (3)
	15	19	0.7	90 (0.75)	30	1.2	90 (1.5)	61	2.6	100 (3)	19	0.7	90 (0.75)	30	1.2	90 (1.5)	62	2.8	100 (3)	19	0.8	90 (1.1)	30	1.3	90 (1.5)	62	3	112 (4)
	20	18	0.9	90 (1.1)	29	1.4	90 (1.5)	61	3.2	112 (4)	19	0.9	90 (1.1)	30	1.5	100 (2.2)	61	3.4	112 (4)	19	1	90 (1.1)	30	1.6	100 (2.2)	62	3.6	112 (4)
	25	18	1.1	100 (1.5)	29	1.7	100 (2.2)	61	3.8	112 (4)	18	1.1	100 (1.5)	29	1.8	100 (2.2)	61	3.9	112 (4)	19	1.1	100 (1.5)	30	1.9	100 (2.2)	62	4.1	132 (5.5)
	30	18	1.3	100 (1.5)	29	2	100 (2.2)	60	4.3	132 (5.5)	18	1.3	100 (1.5)	29	2.1	100 (2.2)	61	4.5	132 (5.5)	19	1.3	100 (1.5)	30	2.1	100 (2.2)	61	4.7	132 (5.5)
	35	17	1.4	112 (2.2)	28	2.3	100 (3)	60	4.9	132 (5.5)	18	1.5	112 (2.2)	29	2.3	100 (3)	61	5.1	132 (5.5)	18	1.5	112 (2.2)	29	2.4	100 (3)	61	5.3	132 (5.5)
	40	17	1.6	112 (2.2)	28	2.5	100 (3)	60	5.4	132 (5.5)	18	1.6	112 (2.2)	28	2.6	100 (3)	61	5.6	132 (7.5)	18	1.7	112 (2.2)	29	2.7	100 (3)	61	5.9	132 (7.5)
	45	17	1.8	112 (2.2)	28	2.8	100 (3)	60	6	132 (7.5)	18	1.8	112 (2.2)	29	2.9	100 (3)	60	6.2	132 (7.5)	18	1.9	112 (2.2)	29	3	112 (4)	61	6.4	132 (7.5)
50	17	2	112 (2.2)	28	3.1	112 (4)	59	6.6	132 (7.5)	17	2	112 (2.2)	28	3.2	112 (4)	60	6.8	132 (7.5)	18	2.1	112 (2.2)	29	3.2	112 (4)	61	7	132 (7.5)	

The performances refer to the Triumflex® pump coupled to a Motive motor.

50HZ SERIES

SM-TRFXA034050

PERFORMANCE CHART

Fluid Viscosity	cSt	15									46									100								
		950			1450			2900			950			1450			2900			950			1450			2900		
Motor Speed	rpm	Flow [L/min]	Abs. Power [kW]	Motor Size [Frame (kW)]	Flow [L/min]	Abs. Power [kW]	Motor Size [Frame (kW)]	Flow [L/min]	Abs. Power [kW]	Motor Size [Frame (kW)]	Flow [L/min]	Abs. Power [kW]	Motor Size [Frame (kW)]	Flow [L/min]	Abs. Power [kW]	Motor Size [Frame (kW)]	Flow [L/min]	Abs. Power [kW]	Motor Size [Frame (kW)]	Flow [L/min]	Abs. Power [kW]	Motor Size [Frame (kW)]	Flow [L/min]	Abs. Power [kW]	Motor Size [Frame (kW)]	Flow [L/min]	Abs. Power [kW]	Motor Size [Frame (kW)]
Pump Model SM-TRFXA034050	0	27	0.1	80 (0.37)	42	0.2	80 (0.55)	83	0.4	80 (0.75)	27	0.1	80 (0.37)	42	0.2	80 (0.55)	83	0.7	90 (1.5)	27	0.1	80 (0.37)	42	0.3	80 (0.55)	83	0.9	80 (1.1)
	5	21	0.3	80 (0.37)	36	0.5	80 (0.55)	78	1.1	90 (1.5)	24	0.4	80 (0.55)	38	0.6	80 (0.75)	80	1.4	90 (1.5)	25	0.4	80 (0.55)	39	0.7	80 (0.75)	81	1.6	90 (2.2)
	10	19	0.5	80 (0.55)	33	0.9	90 (1.1)	75	1.8	90 (2.2)	22	0.6	90 (0.75)	37	0.9	90 (1.1)	78	2.1	90 (2.2)	24	0.6	90 (0.75)	38	1	90 (1.1)	80	2.4	100 (3)
	15	17	0.8	90 (1.1)	32	1.2	90 (1.5)	73	2.6	100 (3)	21	0.8	90 (1.1)	35	1.3	90 (1.5)	77	2.8	100 (3)	23	0.9	90 (1.1)	38	1.4	90 (1.5)	79	3.1	112 (4)
	20	16	1	90 (1.1)	30	1.6	100 (2.2)	72	3.3	112 (4)	20	1.1	100 (1.5)	35	1.7	100 (2.2)	76	3.5	112 (4)	22	1.1	100 (1.5)	37	1.8	100 (2.2)	79	3.8	112 (4)
	25	14	1.2	100 (1.5)	29	1.9	100 (2.2)	70	4	132 (5.5)	19	1.3	100 (1.5)	34	2	100 (2.2)	75	4.3	132 (5.5)	22	1.3	100 (1.5)	36	2.1	100 (2.2)	78	4.5	132 (5.5)
	30	13	1.5	112 (2.2)	27	2.3	100 (3)	69	4.7	132 (5.5)	19	1.5	112 (2.2)	33	2.4	100 (3)	75	5	132 (5.5)	21	1.6	112 (2.2)	36	2.5	100 (3)	77	5.3	132 (5.5)
	35	12	1.7	112 (2.2)	26	2.6	100 (3)	68	5.4	132 (5.5)	18	1.8	112 (2.2)	32	2.7	100 (3)	74	5.7	132 (7.5)	21	1.8	112 (2.2)	35	2.8	100 (3)	77	6	132 (7.5)
	40	11	1.9	112 (2.2)	25	3	112 (4)	67	6.1	132 (7.5)	17	2	112 (2.2)	32	3.1	112 (4)	73	6.4	132 (7.5)	20	2	112 (2.2)	35	3.2	112 (4)	77	6.7	132 (7.5)
	45	10	2.2	132(3)	24	3.3	112 (4)	66	6.8	132 (7.5)	17	2.2	132 (3)	31	3.4	112 (4)	73	7.1	132 (7.5)	20	2.3	132 (3)	34	3.6	112 (4)	76	7.5	132 (9.2)
50	9	2.4	132(3)	23	3.7	112 (4)	65	7.5	132 (9.2)	16	2.4	132 (3)	30	3.8	112 (4)	72	7.9	132 (9.2)	20	2.5	132 (3)	34	3.9	112 (4)	76	8.2	132 (9.2)	

Fluid Viscosity	cSt	220									320									460								
		950			1450			2900			950			1450			2900			950			1450			2900		
Motor Speed	rpm	Flow [L/min]	Abs. Power [kW]	Motor Size [Frame (kW)]	Flow [L/min]	Abs. Power [kW]	Motor Size [Frame (kW)]	Flow [L/min]	Abs. Power [kW]	Motor Size [Frame (kW)]	Flow [L/min]	Abs. Power [kW]	Motor Size [Frame (kW)]	Flow [L/min]	Abs. Power [kW]	Motor Size [Frame (kW)]	Flow [L/min]	Abs. Power [kW]	Motor Size [Frame (kW)]	Flow [L/min]	Abs. Power [kW]	Motor Size [Frame (kW)]	Flow [L/min]	Abs. Power [kW]	Motor Size [Frame (kW)]	Flow [L/min]	Abs. Power [kW]	Motor Size [Frame (kW)]
Pump Model SM-TRFXA034050	0	27	0.2	80 (0.37)	42	0.4	80 (0.55)	83	1.3	90 (1.5)	27	0.2	80 (0.37)	42	0.5	80 (0.75)	83	1.5	90 (2.2)	27	0.3	80 (0.37)	42	0.6	80 (0.75)	83	1.7	90 (2.2)
	5	26	0.5	80 (0.55)	40	0.8	90 (1.1)	82	2	90 (2.2)	26	0.5	80 (0.55)	40	0.9	90 (1.1)	82	2.2	100 (3)	26	0.6	90 (0.75)	41	1	90 (1.1)	82	2.4	100 (3)
	10	25	0.7	90 (0.75)	39	1.2	90 (1.5)	81	2.7	100 (3)	25	0.7	90 (0.75)	40	1.2	90 (1.5)	82	2.9	100 (3)	26	0.8	90 (1.1)	40	1.3	90 (1.5)	82	3.2	112 (4)
	15	24	0.9	90 (1.1)	39	1.5	100 (2.2)	81	3.5	112 (4)	25	1	90 (1.1)	39	1.6	100 (2.2)	81	3.7	112 (4)	25	1	90 (1.1)	40	1.7	100 (2.2)	82	3.9	112 (4)
	20	24	1.2	100 (1.5)	38	1.9	100 (2.2)	80	4.2	132 (5.5)	25	1.2	100 (1.5)	39	2	100 (2.2)	81	4.4	132 (5.5)	25	1.3	100 (1.5)	39	2.1	100 (2.2)	81	4.7	132 (5.5)
	25	24	1.4	100 (1.5)	38	2.3	100 (3)	80	4.9	132 (5.5)	24	1.5	112 (2.2)	39	2.3	100 (3)	80	5.2	132 (5.5)	25	1.5	112 (2.2)	39	2.4	100 (3)	81	5.4	132 (5.5)
	30	23	1.6	112 (2.2)	38	2.6	100 (3)	79	5.7	132 (7.5)	24	1.7	112 (2.2)	38	2.7	100 (3)	80	5.9	132 (7.5)	25	1.7	112 (2.2)	39	2.8	100 (3)	81	6.2	132 (7.5)
	35	23	1.9	112 (2.2)	37	3	112 (4)	79	6.4	132 (7.5)	24	1.9	112 (2.2)	38	3.1	112 (4)	80	6.7	132 (7.5)	24	2	112 (2.2)	39	3.2	112 (4)	80	6.9	132 (7.5)
	40	23	2.1	112 (2.2)	37	3.3	112 (4)	79	7.2	132 (7.5)	23	2.2	132 (3)	38	3.4	112 (4)	80	7.4	132 (7.5)	24	2.2	132 (3)	39	3.5	112 (4)	80	7.7	132 (9.2)
	45	22	2.4	132 (3)	37	3.7	112 (4)	79	7.9	132 (9.2)	23	2.4	132 (3)	38	3.8	112 (4)	79	8.2	132 (9.2)	24	2.5	132 (3)	38	3.9	112 (4)	80	8.5	132 (9.2)
50	22	2.6	132 (3)	37	4.1	132 (5.5)	78	8.6	132 (9.2)	23	2.6	132 (3)	37	4.2	132 (5.5)	79	8.9	132 (9.2)	24	2.7	132 (3)	38	4.3	132 (5.5)	80	9.2	160 (11)	

The performances refer to the Triumflex® pump coupled to a Motive motor.

50HZ SERIES

SM-TRFXA041048

PERFORMANCE CHART

Fluid Viscosity	cSt	15									46									100								
		950			1450			2900			950			1450			2900			950			1450			2900		
Motor Speed	rpm	Flow [L/min]	Abs. Power [kW]	Motor Size [Frame (kW)]	Flow [L/min]	Abs. Power [kW]	Motor Size [Frame (kW)]	Flow [L/min]	Abs. Power [kW]	Motor Size [Frame (kW)]	Flow [L/min]	Abs. Power [kW]	Motor Size [Frame (kW)]	Flow [L/min]	Abs. Power [kW]	Motor Size [Frame (kW)]	Flow [L/min]	Abs. Power [kW]	Motor Size [Frame (kW)]	Flow [L/min]	Abs. Power [kW]	Motor Size [Frame (kW)]	Flow [L/min]	Abs. Power [kW]	Motor Size [Frame (kW)]	Flow [L/min]	Abs. Power [kW]	Motor Size [Frame (kW)]
Pump Model SM-TRFXA041048	0	38	0.1	80 (0.37)	58	0.2	80 (0.55)	117	0.5	80 (0.75)	38	0.2	80 (0.37)	58	0.3	80 (0.55)	117	0.8	80 (1.1)	38	0.2	80 (0.37)	58	0.4	80 (0.55)	117	1.2	90 (1.5)
	5	32	0.4	80 (0.55)	52	0.7	80 (0.75)	110	1.5	90 (2.2)	34	0.5	80 (0.55)	54	0.8	90 (1.1)	113	1.8	90 (2.2)	36	0.5	80 (0.55)	56	0.9	90 (1.1)	114	2.2	100 (3)
	10	29	0.7	90 (0.75)	50	1.2	90 (1.5)	108	2.5	100 (3)	33	0.8	90 (1.1)	53	1.3	90 (1.5)	111	2.8	100 (3)	35	0.9	90 (1.1)	55	1.4	90 (1.5)	113	3.2	112 (4)
	15	27	1.1	100 (1.5)	48	1.7	100 (2.2)	106	3.5	112 (4)	32	1.1	100 (1.5)	52	1.8	100 (2.2)	110	3.9	112 (4)	34	1.2	100 (1.5)	54	1.9	100 (2.2)	112	4.2	132 (5.5)
	20	26	1.4	100 (1.5)	46	2.2	100 (3)	104	4.5	132 (5.5)	31	1.5	112 (2.2)	51	2.3	100 (3)	109	4.9	132 (5.5)	33	1.5	112 (2.2)	53	2.4	100 (3)	111	5.2	132 (5.5)
	25	24	1.7	112 (2.2)	44	2.7	100 (3)	103	5.5	132 (7.5)	30	1.8	112 (2.2)	50	2.8	100 (3)	108	5.9	132 (7.5)	32	1.8	112 (2.2)	53	2.9	100 (3)	111	6.2	132 (7.5)
	30	23	2	112 (2.2)	43	3.1	112 (4)	101	6.5	132 (7.5)	29	2.1	112 (2.2)	49	3.3	112 (4)	107	6.9	132 (7.5)	32	2.2	132 (3)	52	3.4	112 (4)	110	7.2	132 (7.5)
	35	22	2.4	132 (3)	42	3.6	112 (4)	100	7.5	132 (9.2)	28	2.4	132 (3)	48	3.8	112 (4)	106	7.9	132 (9.2)	31	2.5	132 (3)	51	3.9	112 (4)	110	8.2	132 (9.2)
	40	21	2.7	132 (3)	41	4.1	132 (5.5)	99	8.5	132 (9.2)	27	2.7	132 (3)	48	4.3	132 (5.5)	106	8.9	132 (9.2)	31	2.8	132 (3)	51	4.4	132 (5.5)	109	9.3	160 (11)
	45	20	3	132 (4)	40	4.6	132 (5.5)	98	9.5	160 (11)	27	3.1	132 (4)	47	4.8	132 (5.5)	105	9.9	160 (11)	30	3.2	132 (4)	51	4.9	132 (5.5)	109	10.3	160 (11)
50	19	3.3	132 (4)	39	5.1	132 (5.5)	97	10.4	160 (11)	26	3.4	132 (4)	46	5.3	132 (5.5)	105	10.9	160 (11)	30	3.5	132 (4)	50	5.4	132 (5.5)	108	11.3	160 (15)	

Fluid Viscosity	cSt	220									320									460								
		950			1450			2900			950			1450			2900			950			1450			2900		
Motor Speed	rpm	Flow [L/min]	Abs. Power [kW]	Motor Size [Frame (kW)]	Flow [L/min]	Abs. Power [kW]	Motor Size [Frame (kW)]	Flow [L/min]	Abs. Power [kW]	Motor Size [Frame (kW)]	Flow [L/min]	Abs. Power [kW]	Motor Size [Frame (kW)]	Flow [L/min]	Abs. Power [kW]	Motor Size [Frame (kW)]	Flow [L/min]	Abs. Power [kW]	Motor Size [Frame (kW)]	Flow [L/min]	Abs. Power [kW]	Motor Size [Frame (kW)]	Flow [L/min]	Abs. Power [kW]	Motor Size [Frame (kW)]	Flow [L/min]	Abs. Power [kW]	Motor Size [Frame (kW)]
Pump Model SM-TRFXA041048	0	38	0.3	80 (0.37)	58	0.6	80 (0.75)	117	1.6	90 (2.2)	38	0.3	80 (0.37)	58	0.6	80 (0.75)	117	1.8	90 (2.2)	38	0.4	80 (0.55)	58	0.7	80 (0.75)	117	2.1	100 (3)
	5	36	0.6	90 (0.75)	57	1.1	90 (1.5)	115	2.6	100 (3)	37	0.7	90 (0.75)	57	1.2	90 (1.5)	115	2.9	100 (3)	37	0.7	90 (0.75)	57	1.3	90 (1.5)	115	3.2	112 (4)
	10	36	1	90 (1.1)	56	1.6	100 (2.2)	114	3.6	112 (4)	36	1	90 (1.1)	56	1.7	100 (2.2)	114	3.9	112 (4)	36	1.1	100 (1.5)	57	1.8	100 (2.2)	115	4.2	132 (5.5)
	15	35	1.3	100 (1.5)	55	2.1	100 (2.2)	114	4.7	132 (5.5)	35	1.3	100 (1.5)	56	2.2	100 (3)	114	4.9	132 (5.5)	36	1.4	100 (1.5)	56	2.3	100 (3)	114	5.3	132 (5.5)
	20	35	1.6	112 (2.2)	55	2.6	100 (3)	113	5.7	132 (7.5)	35	1.6	112 (2.2)	55	2.7	100 (3)	114	6	132 (7.5)	36	1.7	112 (2.2)	56	2.8	100 (3)	114	6.3	132 (7.5)
	25	34	1.9	112 (2.2)	54	3.1	112 (4)	113	6.7	132 (7.5)	35	2	112 (2.2)	55	3.2	112 (4)	113	7	132 (7.5)	35	2.1	112 (2.2)	56	3.3	112 (4)	114	7.4	132 (7.5)
	30	34	2.3	132(3)	54	3.6	112 (4)	112	7.8	132 (9.2)	35	2.3	132 (3)	55	3.7	112 (4)	113	8.1	132 (9.2)	35	2.4	132 (3)	55	3.8	112 (4)	114	8.4	132 (9.2)
	35	34	2.6	132(3)	54	4.1	132 (5.5)	112	8.8	132 (9.2)	34	2.7	132 (3)	54	4.2	132 (5.5)	113	9.1	132 (9.2)	35	2.7	132 (3)	55	4.3	132 (5.5)	113	9.5	160 (11)
	40	33	2.9	132(3)	53	4.6	132 (5.5)	112	9.8	160 (11)	34	3	132 (4)	54	4.7	132 (5.5)	112	10.1	160 (11)	35	3.1	132 (4)	55	4.9	132 (5.5)	113	10.5	160 (11)
	45	33	3.3	132 (4)	53	5.1	132 (5.5)	111	10.8	160 (11)	34	3.3	132 (4)	54	5.2	132 (5.5)	112	11.2	160 (15)	35	3.4	132 (4)	55	5.4	132 (5.5)	113	11.6	160 (15)
50	33	3.6	132 (4)	53	5.6	132 (7.5)	111	11.9	160 (15)	34	3.7	132 (4)	54	5.7	132 (7.5)	112	12.2	160 (15)	34	3.7	132 (4)	54	5.9	132 (7.5)	113	12.6	160 (15)	

The performances refer to the Triumflex® pump coupled to a Motive motor.

50HZ SERIES

SM-TRFXA041058

PERFORMANCE CHART

Fluid Viscosity	cSt	15									46									100								
		950			1450			2900			950			1450			2900			950			1450			2900		
Motor Speed	rpm	Flow [L/min]	Abs. Power [kW]	Motor Size [Frame (kW)]	Flow [L/min]	Abs. Power [kW]	Motor Size [Frame (kW)]	Flow [L/min]	Abs. Power [kW]	Motor Size [Frame (kW)]	Flow [L/min]	Abs. Power [kW]	Motor Size [Frame (kW)]	Flow [L/min]	Abs. Power [kW]	Motor Size [Frame (kW)]	Flow [L/min]	Abs. Power [kW]	Motor Size [Frame (kW)]	Flow [L/min]	Abs. Power [kW]	Motor Size [Frame (kW)]	Flow [L/min]	Abs. Power [kW]	Motor Size [Frame (kW)]	Flow [L/min]	Abs. Power [kW]	Motor Size [Frame (kW)]
Pump Model SM-TRFXA041058	0	46	0.1	80 (0.37)	70	0.2	80 (0.55)	141	0.7	80 (0.75)	46	0.2	80 (0.37)	70	0.4	80 (0.75)	141	1	80 (1.1)	46	0.3	80 (0.55)	70	0.5	80 (0.75)	141	1.4	90 (1.5)
	5	39	0.5	80 (0.55)	63	0.8	80 (0.75)	133	1.8	90 (2.2)	42	0.6	90 (0.75)	66	1	90 (1.1)	136	2.2	100 (3)	43	0.7	90 (0.75)	67	1.1	90 (1.5)	138	2.6	100 (3)
	10	36	0.9	90 (1.1)	60	1.4	90 (1.5)	130	3	112 (4)	40	1	90 (1.1)	64	1.6	90 (1.5)	134	3.4	112 (4)	42	1	100 (1.5)	66	1.7	100 (2.2)	136	3.8	112 (4)
	15	33	1.3	100 (1.5)	57	2	100 (2.2)	128	4.2	132 (5.5)	38	1.4	100 (1.5)	62	2.2	100 (3)	133	4.7	132 (5.5)	41	1.4	100 (1.5)	65	2.3	100 (3)	135	5.1	132 (5.5)
	20	31	1.7	112 (2.2)	55	2.6	100 (3)	126	5.4	132 (5.5)	37	1.8	112 (2.2)	61	2.8	100 (3)	132	5.9	132 (7.5)	40	1.8	112 (2.2)	64	2.9	100 (3)	135	6.3	132 (7.5)
	25	29	2.1	112 (2.2)	54	3.2	112 (4)	124	6.6	132 (7.5)	36	2.1	112 (2.2)	60	3.4	112 (4)	131	7.1	132 (7.5)	39	2.2	132 (3)	63	3.5	112 (4)	134	7.5	132 (9.2)
	30	28	2.5	132(3)	52	3.8	112 (4)	122	7.8	132 (9.2)	35	2.5	132 (3)	59	4	132 (5.5)	130	8.3	132 (9.2)	38	2.6	132 (3)	63	4.1	132 (5.5)	133	8.7	132 (9.2)
	35	26	2.8	132(3)	51	4.4	132 (5.5)	121	9	132 (9.2)	34	2.9	132 (3)	58	4.6	132 (5.5)	129	9.5	160 (11)	38	3	132 (4)	62	4.7	132 (5.5)	133	10	160 (11)
	40	25	3.2	132 (4)	49	5	132 (5.5)	120	10.2	160 (11)	33	3.3	132 (4)	57	5.2	132 (5.5)	128	10.7	160 (11)	37	3.4	132 (4)	62	5.3	132 (5.5)	132	11.2	160 (15)
	45	24	3.6	132 (4)	48	5.6	132 (7.5)	118	11.4	160 (15)	32	3.7	132 (4)	57	5.8	132 (7.5)	127	11.9	160 (15)	37	3.8	132 (4)	61	5.9	132 (7.5)	131	12.4	160 (15)
50	22	4	132 (5.5)	47	6.2	132 (7.5)	117	12.6	160 (15)	32	4.1	132 (5.5)	56	6.4	132 (7.5)	126	13.1	160 (15)	36	4.2	132 (5.5)	61	6.5	132 (7.5)	131	13.6	160 (15)	

Fluid Viscosity	cSt	220									320									460								
		950			1450			2900			950			1450			2900			950			1450			2900		
Motor Speed	rpm	Flow [L/min]	Abs. Power [kW]	Motor Size [Frame (kW)]	Flow [L/min]	Abs. Power [kW]	Motor Size [Frame (kW)]	Flow [L/min]	Abs. Power [kW]	Motor Size [Frame (kW)]	Flow [L/min]	Abs. Power [kW]	Motor Size [Frame (kW)]	Flow [L/min]	Abs. Power [kW]	Motor Size [Frame (kW)]	Flow [L/min]	Abs. Power [kW]	Motor Size [Frame (kW)]	Flow [L/min]	Abs. Power [kW]	Motor Size [Frame (kW)]	Flow [L/min]	Abs. Power [kW]	Motor Size [Frame (kW)]	Flow [L/min]	Abs. Power [kW]	Motor Size [Frame (kW)]
Pump Model SM-TRFXA041058	0	46	0.4	80 (0.55)	70	0.7	80 (0.75)	141	1.9	90 (2.2)	46	0.4	80 (0.55)	70	0.8	90 (1.1)	141	2.2	100 (3)	46	0.5	90 (0.75)	70	0.9	90 (1.1)	141	2.6	100 (3)
	5	44	0.8	90 (1.1)	68	1.3	90 (1.5)	139	3.2	112 (4)	44	0.8	90 (0.75)	69	1.4	90 (1.5)	139	3.5	112 (4)	45	0.9	90 (1.1)	69	1.5	100 (2.2)	139	3.8	112 (4)
	10	43	1.2	100 (1.5)	67	1.9	100 (2.2)	138	4.4	132 (5.5)	44	1.2	100 (1.5)	68	2	100 (2.2)	138	4.7	132 (5.5)	44	1.3	100 (1.5)	68	2.1	100 (2.2)	139	5.1	132 (5.5)
	15	42	1.6	112 (2.2)	67	2.5	100 (3)	137	5.6	132 (7.5)	43	1.6	112 (2.2)	67	2.6	100 (3)	138	6	132 (7.5)	44	1.7	112 (2.2)	68	2.8	100 (3)	138	6.4	132 (7.5)
	20	42	1.9	112 (2.2)	66	3.1	112 (4)	137	6.9	132 (7.5)	43	2	112 (2.2)	67	3.2	112 (4)	137	7.2	132 (7.5)	43	2.1	112 (2.2)	67	3.4	112 (4)	138	7.6	132 (9.2)
	25	41	2.3	132(3)	66	3.7	112 (4)	136	8.1	132 (9.2)	42	2.4	132 (3)	67	3.9	112 (4)	137	8.5	132 (9.2)	43	2.5	132 (3)	67	4	132 (5.5)	138	8.9	132 (9.2)
	30	41	2.7	132(3)	65	4.3	132 (5.5)	136	9.4	160 (11)	42	2.8	132 (3)	66	4.5	132 (5.5)	137	9.7	160 (11)	43	2.9	132 (3)	67	4.6	132 (5.5)	137	10.2	160 (11)
	35	41	3.1	132 (4)	65	5	132 (5.5)	135	10.6	160 (11)	42	3.2	132 (4)	66	5.1	132 (5.5)	136	11	160 (15)	42	3.3	132 (4)	67	5.2	132 (5.5)	137	11.4	160 (15)
	40	40	3.5	132 (4)	64	5.6	132 (7.5)	135	11.9	160 (15)	41	3.6	132 (4)	65	5.7	132 (5.5)	136	12.3	160 (15)	42	3.7	132 (4)	66	5.9	132 (7.5)	137	12.7	160 (15)
	45	40	3.9	132 (4)	64	6.2	132 (7.5)	135	13.1	160 (15)	41	4	132 (5.5)	65	6.3	132 (5.5)	136	13.5	160 (15)	42	4.1	132 (5.5)	66	6.5	132 (7.5)	136	14	160 (15)
50	39	4.3	132 (5.5)	64	6.8	132 (7.5)	134	14.3	160 (15)	41	4.4	132 (5.5)	65	6.9	132 (5.5)	135	14.8	160 (15)	42	4.5	132 (5.5)	66	7.1	132 (7.5)	136	15.2	160 (18.5)	

The performances refer to the Triumflex® pump coupled to a Motive motor.

50HZ SERIES

SM-TRFXA041068

PERFORMANCE CHART

Fluid Viscosity	cSt	15									46									100								
		950			1450			2900			950			1450			2900			950			1450			2900		
		Motor Speed	rpm	bar	Flow [L/min]	Abs. Power [kW]	Motor Size [Frame (kW)]	Flow [L/min]	Abs. Power [kW]	Motor Size [Frame (kW)]	Flow [L/min]	Abs. Power [kW]	Motor Size [Frame (kW)]	Flow [L/min]	Abs. Power [kW]	Motor Size [Frame (kW)]	Flow [L/min]	Abs. Power [kW]	Motor Size [Frame (kW)]	Flow [L/min]	Abs. Power [kW]	Motor Size [Frame (kW)]	Flow [L/min]	Abs. Power [kW]	Motor Size [Frame (kW)]	Flow [L/min]	Abs. Power [kW]	Motor Size [Frame (kW)]
Pump Model SM-TRFXA041068	0	54	0.1	80 (0.37)	83	0.3	80 (0.55)	165	0.8	80 (1.1)	54	0.2	80 (0.37)	83	0.4	80 (0.55)	165	1.2	90 (1.5)	54	0.3	80 (0.55)	83	0.6	80 (0.75)	165	1.6	90 (2.2)
	5	45	0.6	90 (0.75)	74	1	90 (1.1)	156	2.2	100 (3)	49	0.7	90 (0.75)	77	1.1	90 (1.5)	160	2.6	100 (3)	50	0.8	90 (1.1)	79	1.3	90 (1.5)	161	3.1	112 (4)
	10	42	1.1	100 (1.5)	70	1.7	100 (2.2)	153	3.6	112 (4)	46	1.1	100 (1.5)	75	1.8	100 (2.2)	157	4	132 (5.5)	49	1.2	100 (1.5)	77	2	100 (2.2)	160	4.5	132 (5.5)
	15	39	1.5	112 (2.2)	67	2.4	100 (3)	150	5	132 (5.5)	45	1.6	112 (2.2)	73	2.5	100 (3)	156	5.5	132 (7.5)	48	1.7	112 (2.2)	76	2.7	100 (3)	159	5.9	132 (7.5)
	20	37	2	112 (2.2)	65	3.1	112 (4)	148	6.4	132 (7.5)	43	2.1	112 (2.2)	72	3.2	112 (4)	154	6.9	132 (7.5)	47	2.2	132 (3)	75	3.4	112 (4)	158	7.4	132 (7.5)
	25	34	2.4	132(3)	63	3.8	112 (4)	145	7.8	132 (9.2)	42	2.5	132 (3)	71	3.9	112 (4)	153	8.3	132 (9.2)	46	2.6	132 (3)	74	4.1	132 (5.5)	157	8.8	132 (9.2)
	30	33	2.9	132(3)	61	4.5	132 (5.5)	144	9.2	160 (11)	41	3	132 (4)	69	4.6	132 (5.5)	152	9.7	160 (11)	45	3.1	132 (4)	74	4.8	132 (5.5)	156	10.2	160 (11)
	35	31	3.3	132 (4)	59	5.2	132 (5.5)	142	10.6	160 (11)	40	3.4	132 (4)	68	5.3	132 (5.5)	151	11.1	160 (15)	44	3.5	132 (4)	73	5.5	132 (7.5)	155	11.7	160 (15)
	40	29	3.8	132 (4)	58	5.9	132 (7.5)	140	12	160 (15)	39	3.9	132 (4)	67	6.1	132 (7.5)	150	12.6	160 (15)	44	4	132 (5.5)	72	6.2	132 (7.5)	155	13.1	160 (15)
	45	28	4.2	132 (5.5)	56	6.6	132 (7.5)	139	13.4	160 (15)	38	4.4	132 (5.5)	66	6.8	132 (7.5)	149	14	160 (15)	43	4.5	132 (5.5)	72	7	132 (7.5)	154	14.6	160 (15)
50	26	4.7	132 (5.5)	55	7.2	132 (7.5)	137	14.8	160 (15)	37	4.8	132 (5.5)	66	7.5	132 (9.2)	148	15.4	160 (18.5)	43	4.9	132 (5.5)	71	7.7	132 (9.2)	154	16	160 (18.5)	

Fluid Viscosity	cSt	220									320									460								
		950			1450			2900			950			1450			2900			950			1450			2900		
		Motor Speed	rpm	bar	Flow [L/min]	Abs. Power [kW]	Motor Size [Frame (kW)]	Flow [L/min]	Abs. Power [kW]	Motor Size [Frame (kW)]	Flow [L/min]	Abs. Power [kW]	Motor Size [Frame (kW)]	Flow [L/min]	Abs. Power [kW]	Motor Size [Frame (kW)]	Flow [L/min]	Abs. Power [kW]	Motor Size [Frame (kW)]	Flow [L/min]	Abs. Power [kW]	Motor Size [Frame (kW)]	Flow [L/min]	Abs. Power [kW]	Motor Size [Frame (kW)]	Flow [L/min]	Abs. Power [kW]	Motor Size [Frame (kW)]
Pump Model SM-TRFXA041068	0	54	0.4	80 (0.55)	83	0.8	90 (1.1)	165	2.2	100 (3)	54	0.5	90 (0.75)	83	0.9	90 (1.1)	165	2.6	100 (3)	54	0.6	90 (0.75)	83	1.1	90 (1.5)	165	3	112 (4)
	5	52	0.9	90 (1.1)	80	1.5	100 (2.2)	163	3.7	112 (4)	52	1	90 (1.1)	81	1.6	100 (2.2)	163	4.1	132 (5.5)	52	1	90 (1.1)	81	1.8	100 (2.2)	163	4.5	132 (5.5)
	10	51	1.4	100 (1.5)	79	2.2	100 (3)	162	5.2	132 (5.5)	51	1.4	100 (1.5)	80	2.4	100 (3)	162	5.5	132 (7.5)	52	1.5	112 (2.2)	80	2.5	100 (3)	163	6	132 (7.5)
	15	50	1.8	112 (2.2)	78	2.9	100 (3)	161	6.6	132 (7.5)	51	1.9	112 (2.2)	79	3.1	112 (4)	162	7	132 (7.5)	51	2	112 (2.2)	80	3.2	112 (4)	162	7.5	132 (9.2)
	20	49	2.3	132(3)	78	3.7	112 (4)	160	8.1	132 (9.2)	50	2.4	132 (3)	78	3.8	112 (4)	161	8.5	132 (9.2)	51	2.4	132 (3)	79	4	132 (5.5)	162	8.9	132 (9.2)
	25	49	2.7	132(3)	77	4.4	132 (5.5)	160	9.5	160 (11)	50	2.8	132 (3)	78	4.5	132 (5.5)	161	10	160 (11)	50	2.9	132 (3)	79	4.7	132 (5.5)	161	10.4	160 (11)
	30	48	3.2	132 (4)	77	5.1	132 (5.5)	159	11	160 (15)	49	3.3	132 (4)	78	5.2	132 (5.5)	160	11.4	160 (15)	50	3.4	132 (4)	78	5.4	132 (5.5)	161	11.9	160 (15)
	35	48	3.7	132 (4)	76	5.8	132 (7.5)	159	12.4	160 (15)	49	3.8	132 (4)	77	6	132 (7.5)	160	12.9	160 (15)	50	3.9	132 (4)	78	6.2	132 (7.5)	161	13.4	160 (15)
	40	47	4.1	132 (5.5)	76	6.5	132 (7.5)	158	13.9	160 (15)	48	4.2	132 (5.5)	77	6.7	132 (7.5)	159	14.4	160 (15)	49	4.3	132 (5.5)	78	6.9	132 (7.5)	160	14.9	160 (15)
	45	47	4.6	132 (5.5)	75	7.2	132 (7.5)	158	15.4	160 (18.5)	48	4.7	132 (5.5)	76	7.4	132 (7.5)	159	15.8	160 (18.5)	49	4.8	132 (5.5)	77	7.6	132 (9.2)	160	16.4	160 (18.5)
50	46	5.1	132 (5.5)	75	8	132 (9.2)	157	16.8	160 (18.5)	48	5.2	132 (5.5)	76	8.1	132 (9.2)	159	17.3	160 (18.5)	49	5.3	132 (5.5)	77	8.3	132 (9.2)	160	17.9	160 (18.5)	

The performances refer to the Triumflex® pump coupled to a Motive motor.

PERFORMANCE CHART

60HZ
SERIES

60HZ SERIES

SM-TRFXA034034

PERFORMANCE CHART

Fluid Viscosity	cSt	15									46									100									
		1150			1750			3500			1150			1750			3500			1150			1750			3500			
		Flow [L/min]	Abs. Power [kW]	Motor Size [Frame (kW)]	Flow [L/min]	Abs. Power [kW]	Motor Size [Frame (kW)]	Flow [L/min]	Abs. Power [kW]	Motor Size [Frame (kW)]	Flow [L/min]	Abs. Power [kW]	Motor Size [Frame (kW)]	Flow [L/min]	Abs. Power [kW]	Motor Size [Frame (kW)]	Flow [L/min]	Abs. Power [kW]	Motor Size [Frame (kW)]	Flow [L/min]	Abs. Power [kW]	Motor Size [Frame (kW)]	Flow [L/min]	Abs. Power [kW]	Motor Size [Frame (kW)]	Flow [L/min]	Abs. Power [kW]	Motor Size [Frame (kW)]	
	rpm	bar																											
Base Pump Model SM-TRFXA034034	0	23	0.1	80 (0.37)	34	0.1	80 (0.55)	69	0.4	80 (0.75)	23	0.1	80 (0.37)	34	0.2	80 (0.55)	69	0.6	80 (0.75)	23	0.2	80 (0.37)	34	0.3	80 (0.55)	69	0.8	80 (1.1)	
	5	19	0.3	80 (0.37)	30	0.4	80 (0.55)	65	1	80 (1.1)	20	0.3	80 (0.55)	32	0.5	80 (0.55)	66	1.2	90 (1.5)	21	0.3	80 (0.37)	33	0.6	80 (0.75)	67	1.4	90 (1.5)	
	10	17	0.5	80 (0.55)	29	0.7	80 (0.75)	63	1.6	90 (2.2)	19	0.5	80 (0.55)	31	0.8	90 (1.1)	65	1.8	90 (1.5)	20	0.5	80 (0.55)	32	0.9	90 (1.1)	66	2	90 (2.2)	
	15	16	0.6	90 (0.75)	27	1	90 (1.1)	62	2.1	90 (2.2)	18	0.7	90 (0.75)	30	1.1	90 (1.5)	64	2.4	100 (3)	20	0.7	90 (0.75)	31	1.2	90 (1.5)	66	2.6	100 (3)	
	20	15	0.8	90 (1.1)	26	1.3	90 (1.5)	61	2.7	100 (3)	18	0.9	90 (1.1)	29	1.4	90 (1.5)	64	3	112 (4)	19	0.9	90 (1.1)	31	1.5	100 (2.2)	65	3.2	112 (4)	
	25	14	1	90 (1.1)	25	1.6	100 (2.2)	60	3.3	112 (4)	17	1.1	90 (1.1)	29	1.7	100 (2.2)	63	3.6	112 (4)	19	1.1	100 (1.5)	31	1.8	100 (2.2)	65	3.8	112 (4)	
	30	13	1.2	100 (1.5)	24	1.9	100 (2.2)	59	3.9	112 (4)	17	1.3	100 (1.5)	28	2	100 (2.2)	63	4.2	132 (5.5)	18	1.3	100 (1.5)	30	2.1	100 (2.2)	64	4.4	132 (5.5)	
	35	12	1.4	100 (1.5)	24	2.2	100 (3)	58	4.5	132 (5.5)	16	1.5	112 (2.2)	28	2.3	100 (3)	62	4.7	132 (5.5)	18	1.5	112 (2.2)	30	2.4	100 (3)	64	5	132 (5.5)	
	40	11	1.6	112 (2.2)	23	2.5	100 (3)	57	5.1	132 (5.5)	16	1.6	112 (2.2)	27	2.6	100 (3)	62	5.3	132 (5.5)	18	1.7	112 (2.2)	30	2.7	100 (3)	64	5.6	132 (7.5)	
	45	11	1.8	112 (2.2)	22	2.7	100 (3)	57	5.6	132 (7.5)	15	1.8	112 (2.2)	27	2.8	100 (3)	61	5.9	132 (7.5)	18	1.9	112 (2.2)	29	2.9	100 (3)	64	6.2	132 (7.5)	
50	10	2	112 (2.2)	22	3	112 (4)	56	6.2	132 (7.5)	15	2	112 (2.2)	27	3.1	112 (4)	61	6.5	132 (7.5)	17	2.1	112 (2.2)	29	3.2	112 (4)	63	6.8	132 (7.5)		

Fluid Viscosity	cSt	220									320									460									
		1150			1750			3500			1150			1750			3500			1150			1750			3500			
		Flow [L/min]	Abs. Power [kW]	Motor Size [Frame (kW)]	Flow [L/min]	Abs. Power [kW]	Motor Size [Frame (kW)]	Flow [L/min]	Abs. Power [kW]	Motor Size [Frame (kW)]	Flow [L/min]	Abs. Power [kW]	Motor Size [Frame (kW)]	Flow [L/min]	Abs. Power [kW]	Motor Size [Frame (kW)]	Flow [L/min]	Abs. Power [kW]	Motor Size [Frame (kW)]	Flow [L/min]	Abs. Power [kW]	Motor Size [Frame (kW)]	Flow [L/min]	Abs. Power [kW]	Motor Size [Frame (kW)]	Flow [L/min]	Abs. Power [kW]	Motor Size [Frame (kW)]	
	rpm	bar																											
Base Pump Model SM-TRFXA034034	0	23	0.2	80 (0.37)	34	0.4	80 (0.55)	69	1.1	90 (1.5)	23	0.2	80 (0.37)	34	0.4	80 (0.55)	69	1.3	90 (1.5)	23	0.3	80 (0.37)	34	0.5	80 (0.55)	69	1.5	90 (2.2)	
	5	21	0.4	80 (0.55)	33	0.7	80 (0.75)	67	1.7	90 (2.2)	22	0.4	80 (0.55)	33	0.8	90 (1.1)	68	1.9	90 (2.2)	22	0.5	80 (0.55)	33	0.8	90 (1.1)	68	2.1	90 (2.2)	
	10	21	0.6	90 (0.75)	33	1	90 (1.1)	67	2.3	100 (3)	21	0.6	90 (0.75)	33	1.1	90 (1.5)	67	2.5	100 (3)	21	0.7	90 (0.75)	33	1.1	90 (1.5)	67	2.8	100 (3)	
	15	21	0.8	90 (1.1)	32	1.3	90 (1.5)	67	3	100 (3)	21	0.8	90 (1.1)	33	1.4	90 (1.5)	67	3.2	112 (4)	21	0.9	90 (1.1)	33	1.4	90 (1.5)	67	3.4	112 (4)	
	20	20	1	90 (1.1)	32	1.6	100 (2.2)	66	3.6	112 (4)	21	1	90 (1.1)	32	1.7	100 (2.2)	67	3.8	112 (4)	21	1.1	100 (1.5)	33	1.8	100 (2.2)	67	4	132 (5.5)	
	25	20	1.2	100 (1.5)	32	1.9	100 (2.2)	66	4.2	132 (5.5)	20	1.2	100 (1.5)	32	2	100 (2.2)	66	4.4	132 (5.5)	21	1.3	100 (1.5)	33	2.1	100 (2.2)	67	4.6	132 (5.5)	
	30	20	1.4	100 (1.5)	32	2.2	100 (3)	66	4.8	132 (5.5)	20	1.4	100 (1.5)	32	2.3	100 (3)	66	5	132 (5.5)	21	1.5	112 (2.2)	32	2.4	100 (3)	67	5.3	132 (5.5)	
	35	20	1.6	112 (2.2)	31	2.5	100 (3)	66	5.4	132 (5.5)	20	1.6	112 (2.2)	32	2.6	100 (3)	66	5.6	132 (7.5)	20	1.7	112 (2.2)	32	2.7	100 (3)	66	5.9	132 (7.5)	
	40	19	1.8	112 (2.2)	31	2.8	100 (3)	65	6	132 (7.5)	20	1.8	112 (2.2)	32	2.9	100 (3)	66	6.2	132 (7.5)	20	1.9	112 (2.2)	32	3	112 (4)	66	6.5	132 (7.5)	
	45	19	2	112 (2.2)	31	3.1	112 (4)	65	6.6	132 (7.5)	20	2	112 (2.2)	31	3.2	112 (4)	66	6.8	132 (7.5)	20	2.1	112 (2.2)	32	3.3	112 (4)	66	7.1	132 (7.5)	
50	19	2.2	132 (3)	31	3.4	112 (4)	65	7.2	132 (7.5)	20	2.2	132 (3)	31	3.5	112 (4)	66	7.5	132 (9.2)	20	2.3	132 (3)	32	3.6	112 (4)	66	7.7	132 (9.2)		

The performances refer to the Triumflex® pump coupled to a Motive motor.

60HZ SERIES

SM-TRFXA034038

PERFORMANCE CHART

Fluid Viscosity	cSt	15									46									100								
		1150			1750			3500			1150			1750			3500			1150			1750			3500		
Motor Speed	rpm	Flow [L/min]	Abs. Power [kW]	Motor Size [Frame (kW)]	Flow [L/min]	Abs. Power [kW]	Motor Size [Frame (kW)]	Flow [L/min]	Abs. Power [kW]	Motor Size [Frame (kW)]	Flow [L/min]	Abs. Power [kW]	Motor Size [Frame (kW)]	Flow [L/min]	Abs. Power [kW]	Motor Size [Frame (kW)]	Flow [L/min]	Abs. Power [kW]	Motor Size [Frame (kW)]	Flow [L/min]	Abs. Power [kW]	Motor Size [Frame (kW)]	Flow [L/min]	Abs. Power [kW]	Motor Size [Frame (kW)]	Flow [L/min]	Abs. Power [kW]	Motor Size [Frame (kW)]
Pump Model SM-TRFXA034038	0	25	0.1	80 (0.37)	38	0.2	80 (0.55)	77	0.4	80 (0.75)	25	0.1	80 (0.37)	38	0.2	80 (0.55)	77	0.7	80 (0.75)	25	0.2	80 (0.37)	38	0.3	80 (0.55)	77	0.9	80 (1.1)
	5	21	0.3	80 (0.37)	34	0.5	80 (0.55)	72	1.1	80 (1.1)	22	0.3	80 (0.37)	36	0.6	80 (0.75)	74	1.3	90 (1.5)	23	0.4	80 (0.55)	36	0.7	80 (0.75)	75	1.6	90 (2.2)
	10	19	0.5	80 (0.55)	32	0.8	90 (1.1)	70	1.7	90 (2.2)	21	0.6	90 (0.75)	34	0.9	90 (1.1)	73	2	90 (2.2)	23	0.6	90 (0.75)	36	1	90 (1.1)	74	2.3	100 (3)
	15	17	0.7	90 (0.75)	31	1.1	90 (1.5)	69	2.4	100 (3)	20	0.8	90 (1.1)	34	1.2	90 (1.5)	72	2.7	100 (3)	22	0.8	90 (1.1)	35	1.3	90 (1.5)	73	2.9	100 (3)
	20	16	0.9	90 (1.1)	29	1.4	90 (1.5)	68	3	112 (4)	20	1	90 (1.1)	33	1.5	100 (2.2)	71	3.3	112 (4)	21	1	90 (1.1)	35	1.6	100 (2.2)	73	3.6	112 (4)
	25	15	1.1	100 (1.5)	28	1.8	100 (2.2)	67	3.7	112 (4)	19	1.2	100 (1.5)	32	1.9	100 (2.2)	70	4	132 (5.5)	21	1.3	100 (1.5)	34	2	100 (2.2)	72	4.3	132 (5.5)
	30	14	1.4	100 (1.5)	27	2.1	100 (2.2)	66	4.3	132 (5.5)	18	1.4	100 (1.5)	32	2.2	100 (3)	70	4.6	132 (5.5)	21	1.5	112 (2.2)	34	2.3	100 (3)	72	4.9	132 (5.5)
	35	13	1.6	112 (2.2)	26	2.4	100 (3)	65	5	132 (5.5)	18	1.6	112 (2.2)	31	2.5	100 (3)	69	5.3	132 (5.5)	20	1.7	112 (2.2)	33	2.6	100 (3)	72	5.6	132 (7.5)
	40	13	1.8	112 (2.2)	26	2.7	100 (3)	64	5.7	132 (7.5)	17	1.8	112 (2.2)	31	2.9	100 (3)	69	6	132 (7.5)	20	1.9	112 (2.2)	33	3	112 (4)	71	6.3	132 (7.5)
	45	12	2	112 (2.2)	25	3.1	112 (4)	63	6.3	132 (7.5)	17	2.1	112 (2.2)	30	3.2	112 (4)	68	6.6	132 (7.5)	20	2.1	112 (2.2)	33	3.3	112 (4)	71	6.9	132 (7.5)
50	11	2.2	132 (3)	24	3.4	112 (4)	62	7	132 (7.5)	16	2.3	132 (3)	30	3.5	112 (4)	68	7.3	132 (7.5)	19	2.3	132 (3)	32	3.6	112 (4)	71	7.6	132 (9.2)	

Fluid Viscosity	cSt	220									320									460								
		1150			1750			3500			1150			1750			3500			1150			1750			3500		
Motor Speed	rpm	Flow [L/min]	Abs. Power [kW]	Motor Size [Frame (kW)]	Flow [L/min]	Abs. Power [kW]	Motor Size [Frame (kW)]	Flow [L/min]	Abs. Power [kW]	Motor Size [Frame (kW)]	Flow [L/min]	Abs. Power [kW]	Motor Size [Frame (kW)]	Flow [L/min]	Abs. Power [kW]	Motor Size [Frame (kW)]	Flow [L/min]	Abs. Power [kW]	Motor Size [Frame (kW)]	Flow [L/min]	Abs. Power [kW]	Motor Size [Frame (kW)]	Flow [L/min]	Abs. Power [kW]	Motor Size [Frame (kW)]	Flow [L/min]	Abs. Power [kW]	Motor Size [Frame (kW)]
Pump Model SM-TRFXA034038	0	25	0.2	80 (0.37)	38	0.4	80 (0.55)	77	1.3	90 (1.5)	25	0.3	80 (0.37)	38	0.5	80 (0.75)	77	1.5	90 (2.2)	25	0.3	80 (0.37)	38	0.6	80 (0.75)	77	1.7	90 (2.2)
	5	24	0.5	80 (0.55)	37	0.8	90 (1.1)	75	1.9	90 (2.2)	24	0.5	80 (0.55)	37	0.9	90 (1.1)	76	2.2	100 (3)	24	0.5	80 (0.55)	37	0.9	90 (1.1)	76	2.4	100 (3)
	10	23	0.7	90 (0.75)	37	1.1	90 (1.5)	75	2.6	100 (3)	24	0.7	90 (0.75)	37	1.2	90 (1.5)	75	2.8	100 (3)	24	0.8	90 (1.1)	37	1.3	90 (1.5)	75	3.1	112 (4)
	15	23	0.9	90 (1.1)	36	1.4	90 (1.5)	74	3.3	112 (4)	23	0.9	90 (1.1)	36	1.5	100 (2.2)	76	3.5	112 (4)	24	1	90 (1.1)	37	1.6	100 (2.2)	76	3.8	112 (4)
	20	23	1.1	100 (1.5)	36	1.8	100 (2.2)	74	4	132 (5.5)	23	1.2	100 (1.5)	36	1.9	100 (2.2)	74	4.2	132 (5.5)	23	1.2	100 (1.5)	37	2	100 (2.2)	75	4.5	132 (5.5)
	25	22	1.3	100 (1.5)	35	2.1	100 (2.2)	74	4.7	132 (5.5)	23	1.4	100 (1.5)	36	2.2	100 (3)	74	4.9	132 (5.5)	23	1.4	100 (1.5)	36	2.3	100 (3)	75	5.2	132 (5.5)
	30	22	1.5	112 (2.2)	35	2.5	100 (3)	73	5.3	132 (5.5)	23	1.6	112 (2.2)	36	2.5	100 (3)	74	5.6	132 (7.5)	23	1.6	112 (2.2)	36	2.6	100 (3)	74	5.9	132 (7.5)
	35	22	1.8	112 (2.2)	35	2.8	100 (3)	73	6	132 (7.5)	22	1.8	112 (2.2)	36	2.9	100 (3)	74	6.3	132 (7.5)	23	1.9	112 (2.2)	36	3	112 (4)	74	6.6	132 (7.5)
	40	22	2	112 (2.2)	35	3.1	112 (4)	73	6.7	132 (7.5)	22	2	112 (2.2)	35	3.2	112 (4)	74	7	132 (7.5)	23	2.1	112 (2.2)	36	3.3	112 (4)	74	7.3	132 (7.5)
	45	21	2.2	132 (3)	35	3.5	112 (4)	73	7.4	132 (7.5)	22	2.2	132 (3)	35	3.5	112 (4)	73	7.7	132 (9.2)	23	2.3	132 (3)	36	3.7	112 (4)	74	8	132 (9.2)
50	21	2.4	132 (3)	34	3.8	112 (4)	73	8.1	132 (9.2)	22	2.5	132 (3)	35	3.9	112 (4)	73	8.3	132 (9.2)	22	2.5	132 (3)	36	4	132 (5.5)	74	8.6	132 (9.2)	

The performances refer to the Triumflex® pump coupled to a Motive motor.

60HZ SERIES

SM-TRFXA034050

PERFORMANCE CHART

Fluid Viscosity	cSt	15									46									100								
		1150			1750			3500			1150			1750			3500			1150			1750			3500		
Motor Speed	rpm	Flow [L/min]	Abs. Power [kW]	Motor Size [Frame (kW)]	Flow [L/min]	Abs. Power [kW]	Motor Size [Frame (kW)]	Flow [L/min]	Abs. Power [kW]	Motor Size [Frame (kW)]	Flow [L/min]	Abs. Power [kW]	Motor Size [Frame (kW)]	Flow [L/min]	Abs. Power [kW]	Motor Size [Frame (kW)]	Flow [L/min]	Abs. Power [kW]	Motor Size [Frame (kW)]	Flow [L/min]	Abs. Power [kW]	Motor Size [Frame (kW)]	Flow [L/min]	Abs. Power [kW]	Motor Size [Frame (kW)]	Flow [L/min]	Abs. Power [kW]	Motor Size [Frame (kW)]
Pump Model SM-TRFXA034050	0	33	0.1	80 (0.37)	50	0.2	80 (0.55)	101	0.6	80 (0.75)	33	0.2	80 (0.37)	50	0.3	80 (0.55)	101	0.9	90 (1.1)	33	0.2	80 (0.37)	50	0.4	80 (0.55)	101	1.2	90 (1.5)
	5	27	0.4	80 (0.55)	44	0.6	80 (0.75)	95	1.4	90 (1.5)	29	0.4	80 (0.55)	47	0.7	80 (0.75)	97	1.8	90 (2.2)	31	0.5	80 (0.55)	48	0.9	90 (1.1)	98	2.1	90 (2.2)
	10	25	0.7	90 (0.75)	42	1.1	90 (1.5)	92	2.3	100 (3)	28	0.7	90 (0.75)	45	1.2	90 (1.5)	96	2.6	100 (3)	30	0.8	90 (1.1)	47	1.3	90 (1.5)	97	3	112 (4)
	15	23	0.9	90 (1.1)	40	1.5	100 (2.2)	91	3.1	112 (4)	27	1	90 (1.1)	44	1.6	100 (2.2)	95	3.5	112 (4)	29	1.1	100 (1.5)	46	1.7	100 (2.2)	97	3.9	112 (4)
	20	21	1.2	100 (1.5)	39	1.9	100 (2.2)	89	4	132 (5.5)	26	1.3	100 (1.5)	43	2	100 (2.2)	94	4.4	132 (5.5)	28	1.4	100 (1.5)	45	2.2	100 (3)	96	4.7	132 (5.5)
	25	20	1.5	112 (2.2)	37	2.3	100 (3)	88	4.9	132 (5.5)	25	1.6	112 (2.2)	42	2.5	100 (3)	93	5.2	132 (5.5)	28	1.6	112 (2.2)	45	2.6	100 (3)	95	5.6	132 (7.5)
	30	19	1.8	112 (2.2)	36	2.8	100 (3)	86	5.7	132 (7.5)	24	1.9	112 (2.2)	42	2.9	100 (3)	92	6.1	132 (7.5)	27	1.9	112 (2.2)	44	3	112 (4)	95	6.5	132 (7.5)
	35	18	2.1	112 (2.2)	35	3.2	112 (4)	85	6.6	132 (7.5)	24	2.1	112 (2.2)	41	3.3	112 (4)	91	7	132 (7.5)	27	2.2	132 (3)	44	3.5	112 (4)	94	7.4	132 (7.5)
	40	16	2.3	132(3)	34	3.6	112 (4)	84	7.4	132 (7.5)	23	2.4	132 (3)	40	3.8	112 (4)	91	7.8	132 (9.2)	26	2.5	132 (3)	43	3.9	112 (4)	94	8.3	132 (9.2)
	45	15	2.6	132(3)	33	4	132 (5.5)	83	8.3	132 (9.2)	22	2.7	132 (3)	40	4.2	132 (5.5)	90	8.7	132 (9.2)	26	2.8	132 (3)	43	4.3	132 (5.5)	93	9.1	132 (9.2)
50	15	2.9	132(3)	32	4.5	132 (5.5)	82	9.2	160 (1.1)	22	3	132 (4)	39	4.6	132 (5.5)	89	9.6	160 (11)	25	3.1	132 (4)	43	4.8	132 (5.5)	93	10	160 (11)	

Fluid Viscosity	cSt	220									320									460								
		1150			1750			3500			1150			1750			3500			1150			1750			3500		
Motor Speed	rpm	Flow [L/min]	Abs. Power [kW]	Motor Size [Frame (kW)]	Flow [L/min]	Abs. Power [kW]	Motor Size [Frame (kW)]	Flow [L/min]	Abs. Power [kW]	Motor Size [Frame (kW)]	Flow [L/min]	Abs. Power [kW]	Motor Size [Frame (kW)]	Flow [L/min]	Abs. Power [kW]	Motor Size [Frame (kW)]	Flow [L/min]	Abs. Power [kW]	Motor Size [Frame (kW)]	Flow [L/min]	Abs. Power [kW]	Motor Size [Frame (kW)]	Flow [L/min]	Abs. Power [kW]	Motor Size [Frame (kW)]	Flow [L/min]	Abs. Power [kW]	Motor Size [Frame (kW)]
Pump Model SM-TRFXA034050	0	33	0.3	80 (0.37)	50	0.6	80 (0.75)	101	1.7	90 (2.2)	33	0.4	80 (0.55)	50	0.7	80 (0.75)	101	1.9	90 (2.2)	33	0.4	80 (0.55)	50	0.8	90 (1.1)	101	2.2	100 (3)
	5	31	0.6	90 (0.75)	49	1	90 (1.1)	99	2.6	100 (3)	32	0.7	90 (0.75)	49	1.1	90 (1.5)	99	2.8	100 (3)	32	0.7	90 (0.75)	49	1.2	90 (1.5)	100	3.2	112 (4)
	10	31	0.9	90 (1.1)	48	1.5	100 (2.2)	98	3.5	112 (4)	31	0.9	90 (1.1)	48	1.6	100 (2.2)	99	3.7	112 (4)	31	1	90 (1.1)	49	1.7	100 (2.2)	99	4.1	132 (5.5)
	15	30	1.2	100 (1.5)	48	1.9	100 (2.2)	98	4.4	132 (5.5)	31	1.2	100 (1.5)	48	2	100 (2.2)	98	4.6	132 (5.5)	31	1.3	100 (1.5)	48	2.1	100 (2.2)	99	5	132 (5.5)
	20	30	1.5	112 (2.2)	47	2.3	100 (3)	97	5.2	132 (5.5)	30	1.5	112 (2.2)	48	2.5	100 (3)	98	5.6	132 (7.5)	31	1.6	112 (2.2)	48	2.6	100 (3)	98	5.9	132 (7.5)
	25	29	1.7	112 (2.2)	47	2.8	100 (3)	97	6.1	132 (7.5)	30	1.8	112 (2.2)	47	2.9	100 (3)	98	6.5	132 (7.5)	31	1.9	112 (2.2)	48	3	112 (4)	98	6.8	132 (7.5)
	30	29	2	112 (2.2)	46	3.2	112 (4)	97	7	132 (7.5)	30	2.1	112 (2.2)	47	3.3	112 (4)	97	7.4	132 (7.5)	30	2.2	132 (3)	48	3.5	112 (4)	98	7.7	132 (9.2)
	35	29	2.3	132 (3)	46	3.7	112 (4)	96	7.9	132 (9.2)	29	2.4	132 (3)	47	3.8	112 (4)	97	8.3	132 (9.2)	30	2.5	132 (3)	47	3.9	112 (4)	98	8.6	132 (9.2)
	40	28	2.6	132 (3)	46	4.1	132 (5.5)	96	8.8	132 (9.2)	29	2.7	132 (3)	47	4.2	132 (5.5)	97	9.2	160 (11)	30	2.7	132 (3)	47	4.4	132 (5.5)	98	9.5	160 (11)
	45	28	2.9	132 (3)	45	4.5	132 (5.5)	96	9.7	160 (1.1)	29	3	132 (4)	46	4.7	132 (5.5)	97	10.1	160 (11)	30	3	132 (4)	47	4.8	132 (5.5)	97	10.5	160 (11)
50	28	3.2	132 (4)	45	5	132 (5.5)	96	10.6	160 (1.1)	29	3.2	132 (4)	46	5.1	132 (5.5)	96	11	160 (15)	29	3.3	132 (4)	47	5.3	132 (5.5)	97	11.4	160 (15)	

The performances refer to the Triumflex® pump coupled to a Motive motor.

60HZ SERIES

SM-TRFXA041048

PERFORMANCE CHART

Fluid Viscosity	cSt	15									46									100								
		1150			1750			3500			1150			1750			3500			1150			1750			3500		
Motor Speed	rpm	Flow [L/min]	Abs. Power [kW]	Motor Size [Frame (kW)]	Flow [L/min]	Abs. Power [kW]	Motor Size [Frame (kW)]	Flow [L/min]	Abs. Power [kW]	Motor Size [Frame (kW)]	Flow [L/min]	Abs. Power [kW]	Motor Size [Frame (kW)]	Flow [L/min]	Abs. Power [kW]	Motor Size [Frame (kW)]	Flow [L/min]	Abs. Power [kW]	Motor Size [Frame (kW)]	Flow [L/min]	Abs. Power [kW]	Motor Size [Frame (kW)]	Flow [L/min]	Abs. Power [kW]	Motor Size [Frame (kW)]	Flow [L/min]	Abs. Power [kW]	Motor Size [Frame (kW)]
Pump Model SM-TRFXA041048	0	46	0.1	80 (0.37)	70	0.3	80 (0.55)	141	0.7	80 (0.75)	46	0.2	80 (0.37)	70	0.4	80 (0.55)	141	1.1	90 (1.5)	46	0.3	80 (0.37)	70	0.5	80 (0.55)	141	1.5	90 (2.2)
	5	40	0.5	80 (0.55)	64	0.8	90 (1.1)	134	1.9	90 (2.2)	42	0.6	90 (0.75)	67	1	90 (1.1)	137	2.3	100 (3)	44	0.7	90 (0.75)	68	1.1	90 (1.5)	138	2.8	100 (3)
	10	37	0.9	90 (1.1)	62	1.4	90 (1.5)	132	3.1	112 (4)	41	1	90 (1.1)	65	1.6	100 (2.2)	135	3.5	112 (4)	43	1.1	100 (1.5)	67	1.8	100 (2.2)	137	4	132 (5.5)
	15	35	1.3	100 (1.5)	60	2	100 (2.2)	130	4.3	132 (5.5)	40	1.4	100 (1.5)	64	2.2	100 (3)	134	4.8	132 (5.5)	42	1.5	112 (2.2)	66	2.4	100 (3)	136	5.2	132 (5.5)
	20	34	1.7	112 (2.2)	58	2.6	100 (3)	128	5.5	132 (7.5)	39	1.8	112 (2.2)	63	2.8	100 (3)	133	6	132 (7.5)	41	1.9	112 (2.2)	65	3	112 (4)	135	6.4	132 (7.5)
	25	32	2.1	112 (2.2)	56	3.2	112 (4)	127	6.7	132 (7.5)	38	2.2	132 (3)	62	3.4	112 (4)	132	7.2	132 (7.5)	40	2.3	132 (3)	65	3.6	112 (4)	135	7.7	132 (9.2)
	30	31	2.5	132 (3)	55	3.8	112 (4)	125	7.9	132 (9.2)	37	2.6	132 (3)	61	4	132 (5.5)	131	8.4	132 (9.2)	40	2.7	132 (3)	64	4.2	132 (5.5)	134	8.9	132 (9.2)
	35	30	2.9	132 (3)	54	4.4	132 (5.5)	124	9.1	132 (9.2)	36	3	132 (4)	60	4.6	132 (5.5)	131	9.6	160 (11)	39	3.1	132 (4)	64	4.8	132 (5.5)	134	10.1	160 (11)
	40	29	3.3	132 (4)	53	5	132 (5.5)	123	10.3	160 (11)	35	3.4	132 (4)	60	5.2	132 (5.5)	130	10.8	160 (11)	39	3.5	132 (4)	63	5.4	132 (5.5)	133	11.4	160 (15)
	45	28	3.6	132 (4)	52	5.6	132 (7.5)	122	11.5	160 (15)	35	3.7	132 (4)	59	5.8	132 (7.5)	129	12	160 (15)	38	3.8	132 (4)	63	6	132 (7.5)	133	12.6	160 (15)
50	27	4	132 (5.5)	51	6.2	132 (7.5)	121	12.7	160 (15)	34	4.1	132 (5.5)	58	6.4	132 (7.5)	129	13.3	160 (15)	38	4.2	132 (5.5)	62	6.6	132 (7.5)	132	13.8	160 (15)	

Fluid Viscosity	cSt	220									320									460								
		1150			1750			3500			1150			1750			3500			1150			1750			3500		
Motor Speed	rpm	Flow [L/min]	Abs. Power [kW]	Motor Size [Frame (kW)]	Flow [L/min]	Abs. Power [kW]	Motor Size [Frame (kW)]	Flow [L/min]	Abs. Power [kW]	Motor Size [Frame (kW)]	Flow [L/min]	Abs. Power [kW]	Motor Size [Frame (kW)]	Flow [L/min]	Abs. Power [kW]	Motor Size [Frame (kW)]	Flow [L/min]	Abs. Power [kW]	Motor Size [Frame (kW)]	Flow [L/min]	Abs. Power [kW]	Motor Size [Frame (kW)]	Flow [L/min]	Abs. Power [kW]	Motor Size [Frame (kW)]	Flow [L/min]	Abs. Power [kW]	Motor Size [Frame (kW)]
Pump Model SM-TRFXA041048	0	46	0.4	80 (0.55)	70	70	80 (0.75)	141	2.1	90 (2.2)	46	0.5	90 (0.75)	70	0.9	90 (1.1)	141	2.4	100 (3)	46	0.5	90 (0.75)	70	1	90 (1.1)	141	2.8	100 (3)
	5	44	0.8	90 (1.1)	69	69	90 (1.5)	139	3.3	112 (4)	45	0.9	90 (1.1)	69	1.5	100 (2.2)	139	3.7	112 (4)	45	0.9	90 (1.1)	69	1.6	100 (2.2)	139	4.1	132 (5.5)
	10	44	1.2	100 (1.5)	68	68	100 (2.2)	138	4.6	132 (5.5)	44	1.3	100 (1.5)	68	2.1	100 (2.2)	139	5	132 (5.5)	45	1.3	100 (1.5)	69	2.2	100 (3)	139	5.4	132 (5.5)
	15	43	1.6	112 (2.2)	67	67	100 (3)	138	5.8	132 (7.5)	44	1.7	112 (2.2)	68	2.7	100 (3)	138	6.2	132 (7.5)	44	1.7	112 (2.2)	68	2.9	100 (3)	139	6.6	132 (7.5)
	20	43	2	112 (2.2)	67	67	112 (4)	137	7.1	132 (7.5)	43	2.1	112 (2.2)	67	3.3	112 (4)	138	7.5	132 (9.2)	44	2.1	112 (2.2)	68	3.5	112 (4)	138	7.9	132 (9.2)
	25	42	2.4	132(3)	66	66	112 (4)	137	8.3	132 (9.2)	43	2.5	132 (3)	67	3.9	112 (4)	137	8.7	132 (9.2)	44	2.6	132 (3)	68	4.1	132 (5.5)	138	9.2	160 (11)
	30	42	2.8	132(3)	66	66	132 (5.5)	136	9.6	160 (11)	43	2.9	132 (3)	67	4.6	132 (5.5)	137	10	160 (11)	43	3	132 (4)	67	4.7	132 (5.5)	138	10.5	160 (11)
	35	42	3.2	132 (4)	66	66	132 (5.5)	136	10.8	160 (11)	42	3.3	132 (4)	67	5.2	132 (5.5)	137	11.3	160 (15)	43	3.4	132 (4)	67	5.4	132 (5.5)	137	11.7	160 (15)
	40	41	3.6	132 (4)	65	65	132 (7.5)	136	12.1	160 (15)	42	3.7	132 (4)	66	5.8	132 (7.5)	137	12.5	160 (15)	43	3.8	132 (4)	67	6	132 (7.5)	137	13	160 (15)
	45	41	4	132 (5.5)	65	65	132 (7.5)	135	13.3	160 (15)	42	4.1	132 (5.5)	66	6.4	132 (7.5)	136	13.8	160 (15)	43	4.2	132 (5.5)	67	6.6	132 (7.5)	137	14.3	160 (15)
50	41	4.4	132 (5.5)	65	65	132 (7.5)	135	14.6	160 (15)	42	4.5	132 (5.5)	66	7	132 (7.5)	136	15	160 (18.5)	42	4.6	132 (5.5)	67	7.2	132 (7.5)	137	15.6	160 (18.5)	

The performances refer to the Triumflex® pump coupled to a Motive motor.

60HZ SERIES

SM-TRFXA041058

PERFORMANCE CHART

Fluid Viscosity	cSt	15									46									100								
		1150			1750			3500			1150			1750			3500			1150			1750			3500		
Motor Speed	rpm	Flow [L/min]	Abs. Power [kW]	Motor Size [Frame (kW)]	Flow [L/min]	Abs. Power [kW]	Motor Size [Frame (kW)]	Flow [L/min]	Abs. Power [kW]	Motor Size [Frame (kW)]	Flow [L/min]	Abs. Power [kW]	Motor Size [Frame (kW)]	Flow [L/min]	Abs. Power [kW]	Motor Size [Frame (kW)]	Flow [L/min]	Abs. Power [kW]	Motor Size [Frame (kW)]	Flow [L/min]	Abs. Power [kW]	Motor Size [Frame (kW)]	Flow [L/min]	Abs. Power [kW]	Motor Size [Frame (kW)]	Flow [L/min]	Abs. Power [kW]	Motor Size [Frame (kW)]
Pump Model SM-TRFXA041058	0	56	0.2	80 (0.37)	85	0.3	80 (0.55)	170	0.9	80 (1.1)	56	0.3	80 (0.55)	85	0.5	80 (0.55)	170	1.4	90 (1.5)	56	0.3	80 (0.55)	85	0.7	80 (0.75)	170	1.8	90 (2.2)
	5	48	0.6	90 (0.75)	77	1	90 (1.1)	162	2.3	100 (3)	51	0.7	90 (0.75)	80	1.2	90 (1.5)	165	2.8	100 (3)	53	0.8	90 (1.1)	82	1.4	90 (1.5)	167	3.3	112 (4)
	10	45	1.1	100 (1.5)	74	1.7	100 (2.2)	159	3.8	112 (4)	49	1.2	100 (1.5)	78	1.9	100 (2.2)	163	4.3	132 (5.5)	51	1.3	100 (1.5)	81	2.1	100 (2.2)	166	4.8	132 (5.5)
	15	43	1.6	112 (2.2)	72	2.5	100 (3)	157	5.2	132 (5.5)	48	1.7	112 (2.2)	77	2.7	100 (3)	162	5.8	132 (7.5)	50	1.8	112 (2.2)	80	2.8	100 (3)	165	6.3	132 (7.5)
	20	41	2	112 (2.2)	70	3.2	112 (4)	155	6.7	132 (7.5)	47	2.2	132 (3)	76	3.4	112 (4)	161	7.2	132 (7.5)	50	2.3	132 (3)	79	3.6	112 (4)	164	7.8	132 (9.2)
	25	39	2.5	132(3)	68	3.9	112 (4)	153	8.1	132 (9.2)	46	2.6	132 (3)	75	4.1	132 (5.5)	160	8.7	132 (9.2)	49	2.7	132 (3)	78	4.3	132 (5.5)	163	9.3	132 (9.2)
	30	38	3	132 (4)	67	4.6	132 (5.5)	152	9.6	160 (11)	45	3.1	132 (4)	74	4.8	132 (5.5)	159	10.1	160 (11)	48	3.2	132 (4)	77	5	132 (5.5)	162	10.8	160 (11)
	35	36	3.5	132 (4)	65	5.3	132 (5.5)	150	11	160 (15)	44	3.6	132 (4)	73	5.6	132 (7.5)	158	11.6	160 (15)	48	3.7	132 (4)	77	5.8	132 (7.5)	162	12.2	160 (15)
	40	35	3.9	132 (4)	64	6.1	132 (7.5)	149	12.4	160 (15)	43	4.1	132 (5.5)	72	6.3	132 (7.5)	157	13.1	160 (15)	47	4.2	132 (5.5)	76	6.5	132 (7.5)	161	13.7	160 (15)
	45	33	4.4	132 (5.5)	63	6.8	132 (7.5)	147	13.9	160 (15)	42	4.5	132 (5.5)	71	7	132 (7.5)	156	14.5	160 (15)	46	4.7	132 (5.5)	76	7.2	132 (7.5)	161	15.2	160 (15)
50	32	4.9	132 (5.5)	61	7.5	132 (9.2)	146	15.3	160 (18.5)	41	5	132 (5.5)	70	7.7	132 (9.2)	155	16	160 (18.5)	46	5.1	132 (5.5)	75	8	132 (9.2)	160	16.7	160 (18.5)	

Fluid Viscosity	cSt	220									320									460								
		1150			1750			3500			1150			1750			3500			1150			1750			3500		
Motor Speed	rpm	Flow [L/min]	Abs. Power [kW]	Motor Size [Frame (kW)]	Flow [L/min]	Abs. Power [kW]	Motor Size [Frame (kW)]	Flow [L/min]	Abs. Power [kW]	Motor Size [Frame (kW)]	Flow [L/min]	Abs. Power [kW]	Motor Size [Frame (kW)]	Flow [L/min]	Abs. Power [kW]	Motor Size [Frame (kW)]	Flow [L/min]	Abs. Power [kW]	Motor Size [Frame (kW)]	Flow [L/min]	Abs. Power [kW]	Motor Size [Frame (kW)]	Flow [L/min]	Abs. Power [kW]	Motor Size [Frame (kW)]	Flow [L/min]	Abs. Power [kW]	Motor Size [Frame (kW)]
Pump Model SM-TRFXA041058	0	56	0.5	80 (0.55)	85	0.9	90 (1.1)	170	2.5	100 (3)	56	0.6	90 (0.75)	85	1	90 (1.1)	170	2.9	100 (3)	56	0.6	90 (0.75)	85	1.2	90 (1.5)	170	3.4	112 (4)
	5	54	1	90 (1.1)	83	1.6	100 (2.2)	168	4	132 (5.5)	54	1	90 (1.1)	83	1.8	100 (2.2)	168	4.5	132 (5.5)	54	1.1	112 (2.2)	84	2	100 (2.2)	168	4.9	132 (5.5)
	10	53	1.4	100 (1.5)	82	2.4	100 (3)	167	5.5	132 (5.5)	53	1.5	112 (2.2)	83	2.5	100 (3)	167	6	132 (7.5)	54	1.6	112 (2.2)	83	2.7	100 (3)	168	6.5	132 (7.5)
	15	52	1.9	112 (2.2)	81	3.1	112 (4)	166	7.1	132 (7.5)	53	2	112 (2.2)	82	3.3	112 (4)	167	7.5	132 (9.2)	53	2.1	112 (2.2)	82	3.5	112 (4)	167	8	132 (9.2)
	20	52	2.4	132(3)	81	3.9	112 (4)	166	8.6	132 (9.2)	52	2.5	132 (3)	81	4	132 (5.5)	166	9	132 (9.2)	53	2.6	132 (3)	82	4.2	132 (5.5)	167	9.6	160 (11)
	25	51	2.9	132(3)	80	4.6	132 (5.5)	165	10.1	160 (11)	52	3	132 (4)	81	4.8	132 (5.5)	166	10.6	160 (11)	53	3.1	132 (4)	82	5	132 (5.5)	167	11.1	160 (15)
	30	51	3.4	132 (4)	80	5.3	132 (5.5)	165	11.6	160 (15)	52	3.5	132 (4)	81	5.5	132 (5.5)	166	12.1	160 (15)	52	3.6	132 (4)	81	5.7	132 (7.5)	166	12.6	160 (15)
	35	50	3.9	132 (4)	79	6.1	132 (7.5)	164	13.1	160 (15)	51	4	132 (5.5)	80	6.3	132 (7.5)	165	13.6	160 (15)	52	4.1	132 (5.5)	81	6.5	132 (7.5)	166	14.2	160 (15)
	40	50	4.3	132 (5.5)	79	6.8	132 (7.5)	164	14.6	160 (15)	51	4.4	132 (5.5)	80	7	132 (7.5)	165	15.1	160 (18.5)	52	4.6	132 (5.5)	81	7.2	132 (7.5)	166	15.7	160 (15)
	45	50	4.8	132 (5.5)	79	7.6	132 (9.2)	164	16.1	160 (18.5)	51	4.9	132 (5.5)	80	7.8	132 (9.2)	165	16.7	160 (18.5)	51	5	132 (5.5)	81	8	132 (9.2)	166	17.3	160 (18.5)
50	49	5.3	132 (5.5)	78	8.3	132 (9.2)	163	17.6	160 (18.5)	50	5.4	132 (5.5)	79	8.5	132 (9.2)	164	18.2	160 (18.5)	51	5.5	160 (7.5)	80	8.7	132 (9.2)	165	18.8	180 (22)	

The performances refer to the Triumflex® pump coupled to a Motive motor.

60HZ SERIES

SM-TRFXA041068

PERFORMANCE CHART

Fluid Viscosity	cSt	15									46									100								
		1150			1750			3500			1150			1750			3500			1150			1750			3500		
Motor Speed	rpm	Flow [L/min]	Abs. Power [kW]	Motor Size [Frame (kW)]	Flow [L/min]	Abs. Power [kW]	Motor Size [Frame (kW)]	Flow [L/min]	Abs. Power [kW]	Motor Size [Frame (kW)]	Flow [L/min]	Abs. Power [kW]	Motor Size [Frame (kW)]	Flow [L/min]	Abs. Power [kW]	Motor Size [Frame (kW)]	Flow [L/min]	Abs. Power [kW]	Motor Size [Frame (kW)]	Flow [L/min]	Abs. Power [kW]	Motor Size [Frame (kW)]	Flow [L/min]	Abs. Power [kW]	Motor Size [Frame (kW)]	Flow [L/min]	Abs. Power [kW]	Motor Size [Frame (kW)]
Pump Model SM-TRFXA041068	0	65	0.2	80 (0.37)	100	0.4	80 (0.55)	199	1	80 (1.1)	65	0.3	80 (0.37)	100	0.6	80 (0.75)	199	1.6	90 (2.2)	65	65	80 (0.55)	100	0.8	90 (1.1)	199	2.2	100 (3)
	5	57	0.7	90 (0.75)	91	1.2	90 (1.5)	190	2.7	100 (3)	60	0.9	90 (1.1)	94	1.4	90 (1.5)	194	3.3	112 (4)	62	62	90 (1.1)	96	1.6	100 (2.2)	196	3.9	112 (4)
	10	53	1.3	100 (1.5)	87	2	100 (2.2)	187	4.4	132 (5.5)	58	1.4	100 (1.5)	92	2.3	100 (3)	192	5	132 (5.5)	60	60	112 (2.2)	94	2.5	100 (3)	194	5.6	132 (7.5)
	15	50	1.8	112 (2.2)	84	2.9	100 (3)	184	6.1	132 (7.5)	56	2	112 (2.2)	90	3.1	112 (4)	190	6.7	132 (7.5)	59	59	112 (2.2)	93	3.3	112 (4)	193	7.4	132 (7.5)
	20	48	2.4	132(3)	82	3.7	112 (4)	182	7.8	132 (9.2)	55	2.5	132 (3)	89	4	132 (5.5)	188	8.5	132 (9.2)	58	58	132 (3)	92	4.2	132 (5.5)	192	9.1	132 (9.2)
	25	46	3	132 (4)	80	4.6	132 (5.5)	180	9.5	160 (1.1)	53	3.1	132 (4)	88	4.8	132 (5.5)	187	10.2	160 (11)	57	57	132 (4)	91	5.1	132 (5.5)	191	10.9	160 (11)
	30	44	3.5	132 (4)	78	5.4	132 (5.5)	178	11.2	160 (15)	52	3.6	132 (4)	86	5.7	132 (7.5)	186	11.9	160 (15)	57	57	132 (4)	91	5.9	132 (7.5)	190	12.6	160 (15)
	35	42	4.1	132 (5.5)	76	6.3	132 (7.5)	176	12.9	160 (15)	51	4.2	132 (5.5)	85	6.5	132 (7.5)	185	13.6	160 (15)	56	56	132 (5.5)	90	6.8	132 (7.5)	190	14.3	160 (15)
	40	41	4.6	132 (5.5)	75	7.1	132 (7.5)	174	14.6	160 (15)	50	4.8	132 (5.5)	84	7.4	132 (7.5)	184	15.3	160 (18.5)	55	55	132 (5.5)	89	7.6	132 (9.2)	189	16.1	160 (18.5)
	45	39	5.2	132 (5.5)	73	7.9	132 (9.2)	173	16.3	160 (18.5)	49	5.3	132 (5.5)	83	8.2	132 (9.2)	183	17.1	160 (18.5)	55	55	160 (7.5)	89	8.5	132 (9.2)	188	17.8	160 (18.5)
50	38	5.9	160 (7.5)	72	8.8	132 (9.2)	171	18	160 (18.5)	48	5.9	160 (7.5)	83	9.1	132 (9.2)	182	18.8	180 (22)	54	54	160 (7.5)	88	9.3	160 (11)	188	19.6	180 (22)	

Fluid Viscosity	cSt	220									320									460								
		1150			1750			3500			1150			1750			3500			1150			1750			3500		
Motor Speed	rpm	Flow [L/min]	Abs. Power [kW]	Motor Size [Frame (kW)]	Flow [L/min]	Abs. Power [kW]	Motor Size [Frame (kW)]	Flow [L/min]	Abs. Power [kW]	Motor Size [Frame (kW)]	Flow [L/min]	Abs. Power [kW]	Motor Size [Frame (kW)]	Flow [L/min]	Abs. Power [kW]	Motor Size [Frame (kW)]	Flow [L/min]	Abs. Power [kW]	Motor Size [Frame (kW)]	Flow [L/min]	Abs. Power [kW]	Motor Size [Frame (kW)]	Flow [L/min]	Abs. Power [kW]	Motor Size [Frame (kW)]	Flow [L/min]	Abs. Power [kW]	Motor Size [Frame (kW)]
Pump Model SM-TRFXA041068	0	65	0.6	90 (0.75)	100	1	90 (1.1)	199	3	112 (4)	65	0.6	90 (0.75)	100	1.2	90 (1.5)	199	3.4	112 (4)	65	0.7	90 (0.75)	100	1.4	90 (1.5)	199	4	132 (5.5)
	5	63	1.1	100 (1.5)	97	1.9	100 (2.2)	197	4.7	132 (5.5)	63	1.2	100 (1.5)	98	2.1	100 (2.2)	197	5.2	132 (5.5)	64	1.3	100 (1.5)	98	2.3	100 (3)	198	5.8	132 (7.5)
	10	62	1.7	112 (2.2)	96	2.8	100 (3)	196	6.5	132 (7.5)	63	1.8	112 (2.2)	97	3	112 (4)	196	7	132 (7.5)	63	1.9	112 (2.2)	97	3.2	112 (4)	197	7.6	132 (9.2)
	15	61	2.3	132(3)	95	3.7	112 (4)	195	8.3	132 (9.2)	62	2.4	132 (3)	96	3.8	112 (4)	196	8.8	132 (9.2)	63	2.5	132 (3)	97	4.1	132 (5.5)	196	9.4	160 (11)
	20	61	2.8	132(3)	95	4.5	132 (5.5)	194	10	160 (11)	61	2.9	132 (3)	96	4.7	132 (5.5)	195	10.6	160 (11)	62	3	132 (4)	96	4.9	132 (5.5)	196	11.2	160 (15)
	25	60	3.4	132 (4)	94	5.4	132 (5.5)	194	11.8	160 (15)	61	3.5	132 (4)	95	5.6	132 (7.5)	195	12.4	160 (15)	62	3.6	132 (4)	96	5.8	132 (7.5)	195	13	160 (15)
	30	59	4	132 (5.5)	94	6.3	132 (7.5)	193	13.6	160 (15)	60	4.1	132 (5.5)	95	6.5	132 (7.5)	194	14.2	160 (15)	61	4.2	132 (5.5)	95	6.7	132 (7.5)	195	14.8	160 (15)
	35	59	4.5	132 (5.5)	93	7.1	132 (7.5)	193	15.4	160 (18.5)	60	4.6	132 (5.5)	94	7.3	132 (7.5)	194	16	160 (18.5)	61	4.8	132 (5.5)	95	7.6	132 (9.2)	195	16.6	160 (18.5)
	40	59	5.1	132 (5.5)	93	8	132 (9.2)	192	17.1	160 (18.5)	60	5.2	132 (5.5)	94	8.2	132 (9.2)	193	17.7	160 (18.5)	61	5.3	132 (5.5)	95	8.5	132 (9.2)	194	18.4	160 (18.5)
	45	58	5.7	160 (7.5)	92	8.9	132 (9.2)	192	18.9	180 (22)	59	5.8	160 (7.5)	93	9.1	132 (9.2)	193	19.5	180 (22)	60	5.9	160 (7.5)	95	9.3	160 (11)	194	20.2	180 (22)
50	58	6.2	160 (7.5)	92	9.7	160 (11)	191	20.7	180 (22)	59	6.3	160 (7.5)	93	10	160 (11)	193	21.3	180 (22)	60	6.5	160 (7.5)	94	10.2	160 (11)	194	22.1	200 (30)	

The performances refer to the Triumflex® pump coupled to a Motive motor.





www.settima.it



HEADQUARTER (ITALY)

Viale G. Rossetti, 1
29016 Cortemaggiore (PC)

PHONE:
+39 **0523 3650**



SETTIMA ASIA

Shanghai Office
Room 101-102, End of Lane 729,
Jing'an District, Shanghai (CHINA)
ZIP: 200040

CHINA MARKET PHONE:
+86 **139 1734 8476**
+86 **137 0165 3227**

ASIA MARKET PHONE:
+86 **185 1638 3599**



SETTIMA USA INC.

3030 Cullerton Street,
Franklin Park, IL
60131, USA

PHONE:
+1 (630) **812-1433**

For your projects send your request to: triumflex@settima.it